

Reservedelsliste

Spare parts list

Ersatzteilliste

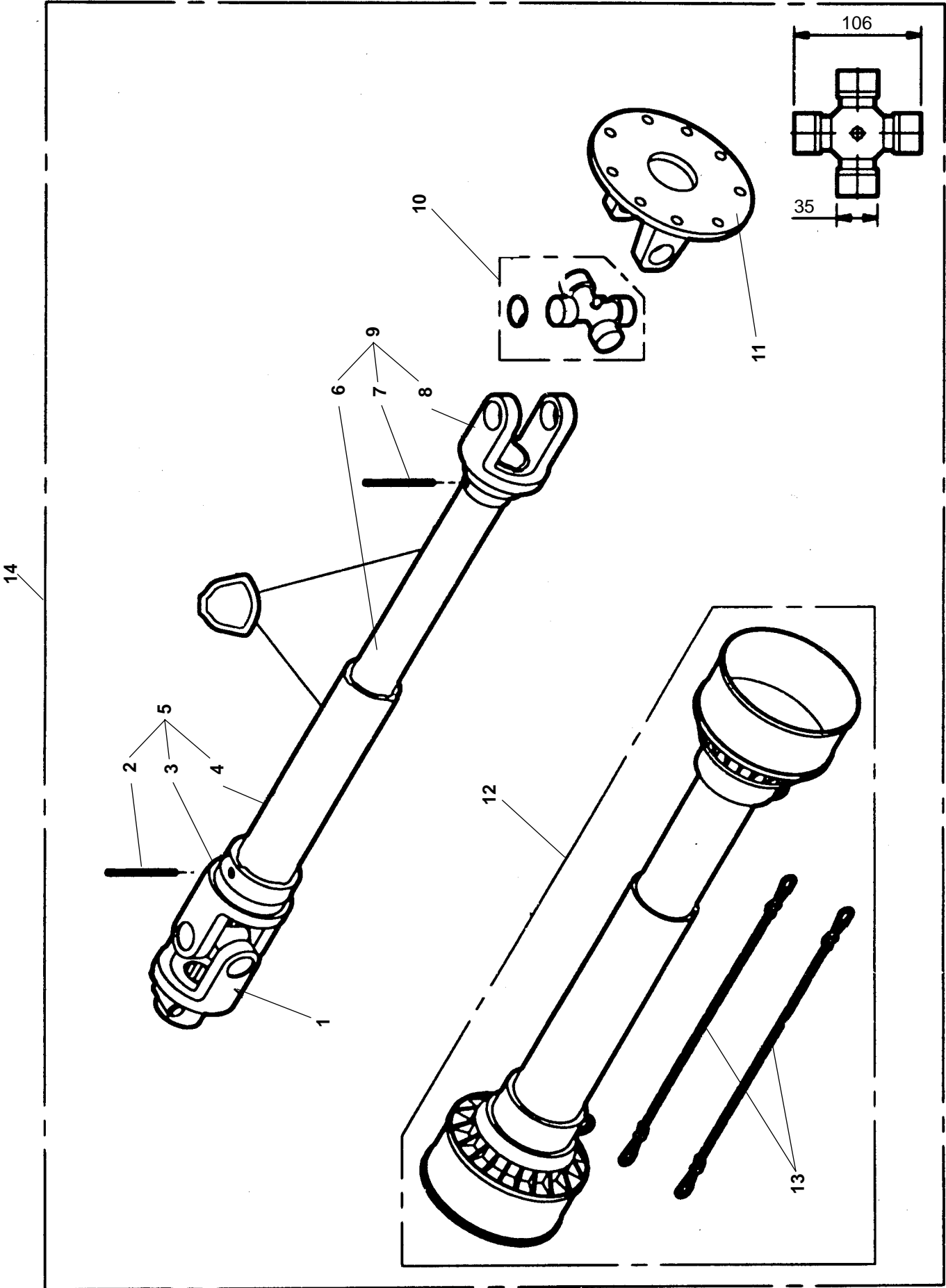
Onderdelenlijst

Liste de pièce de rechange

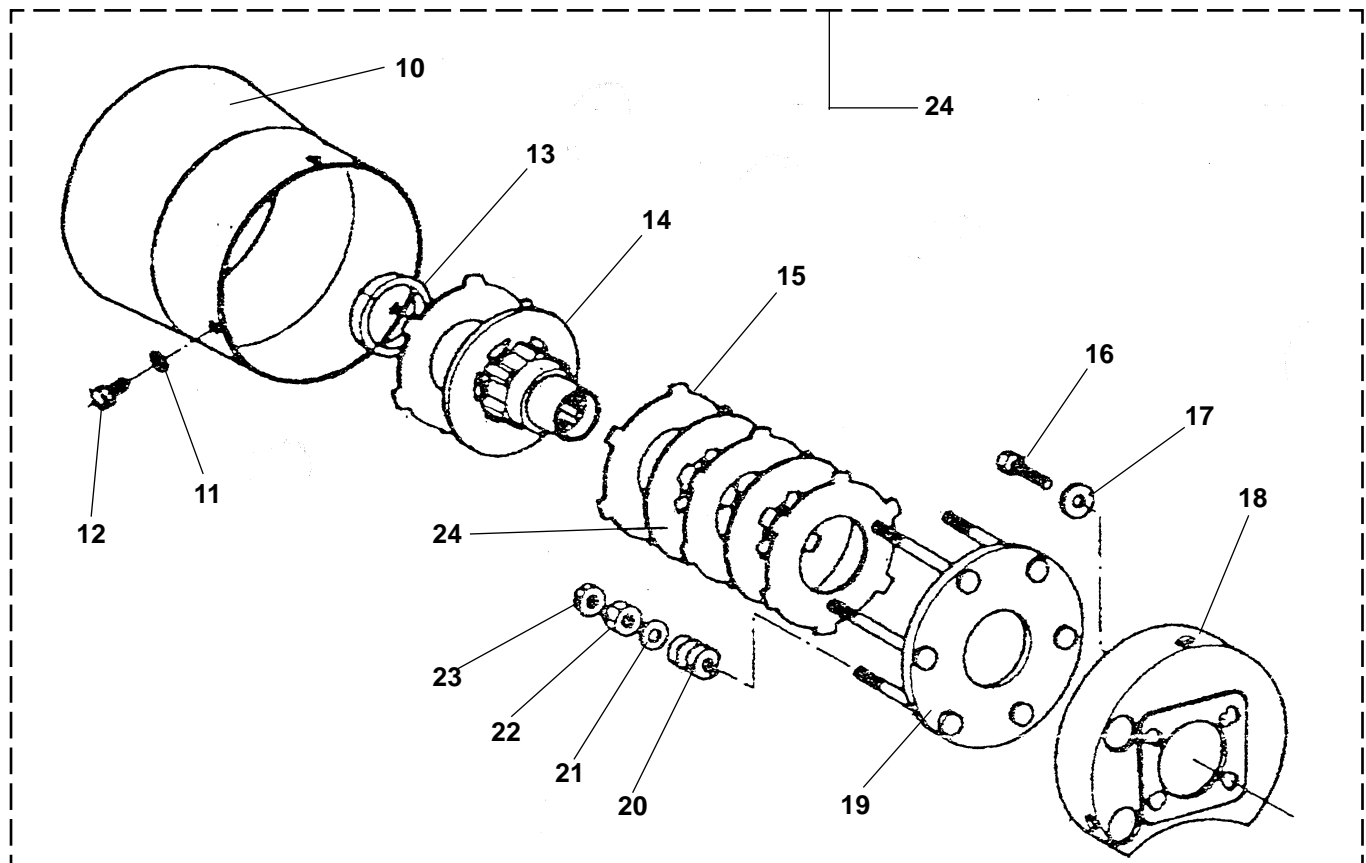
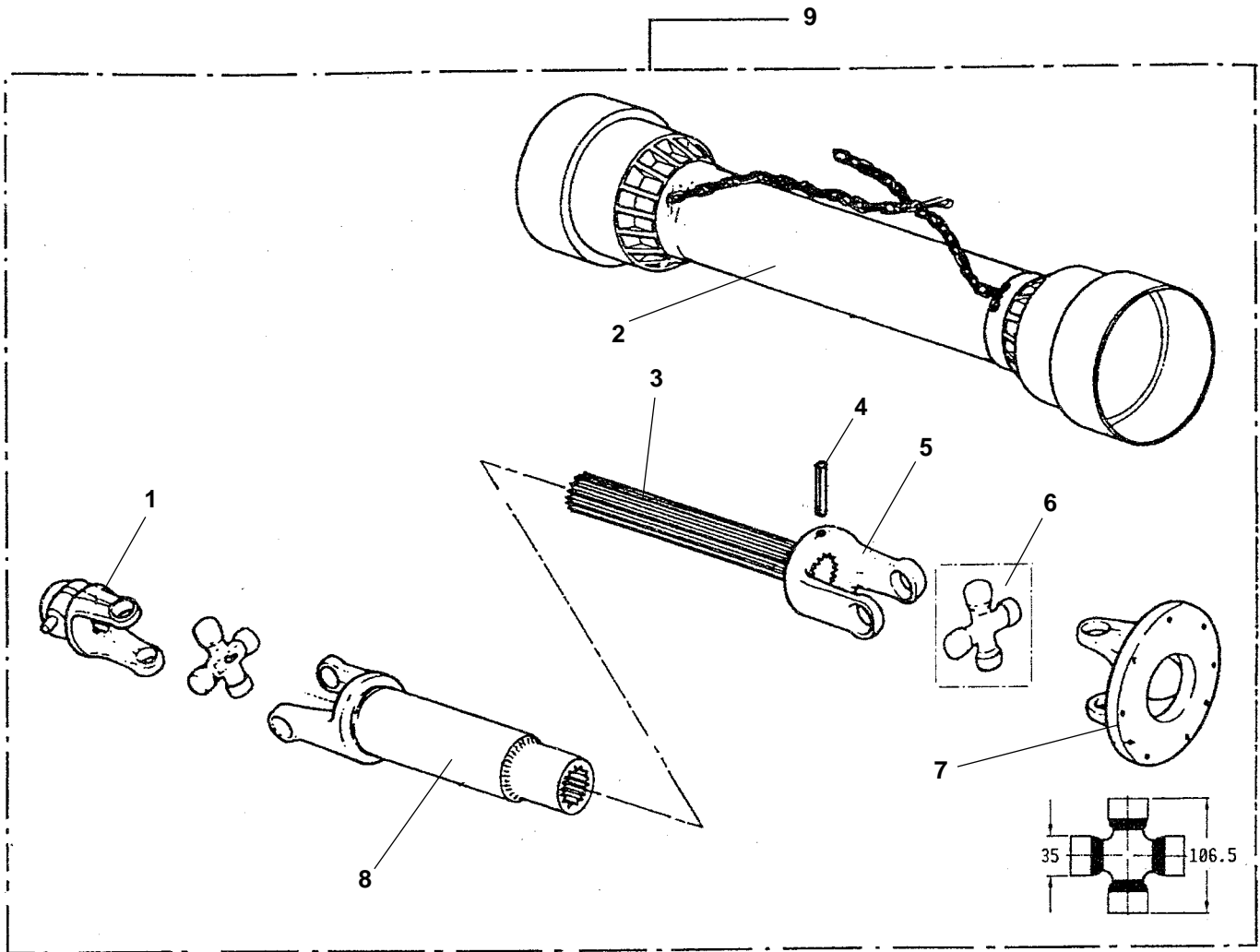
Lista de Piezas

Parti di ricambio

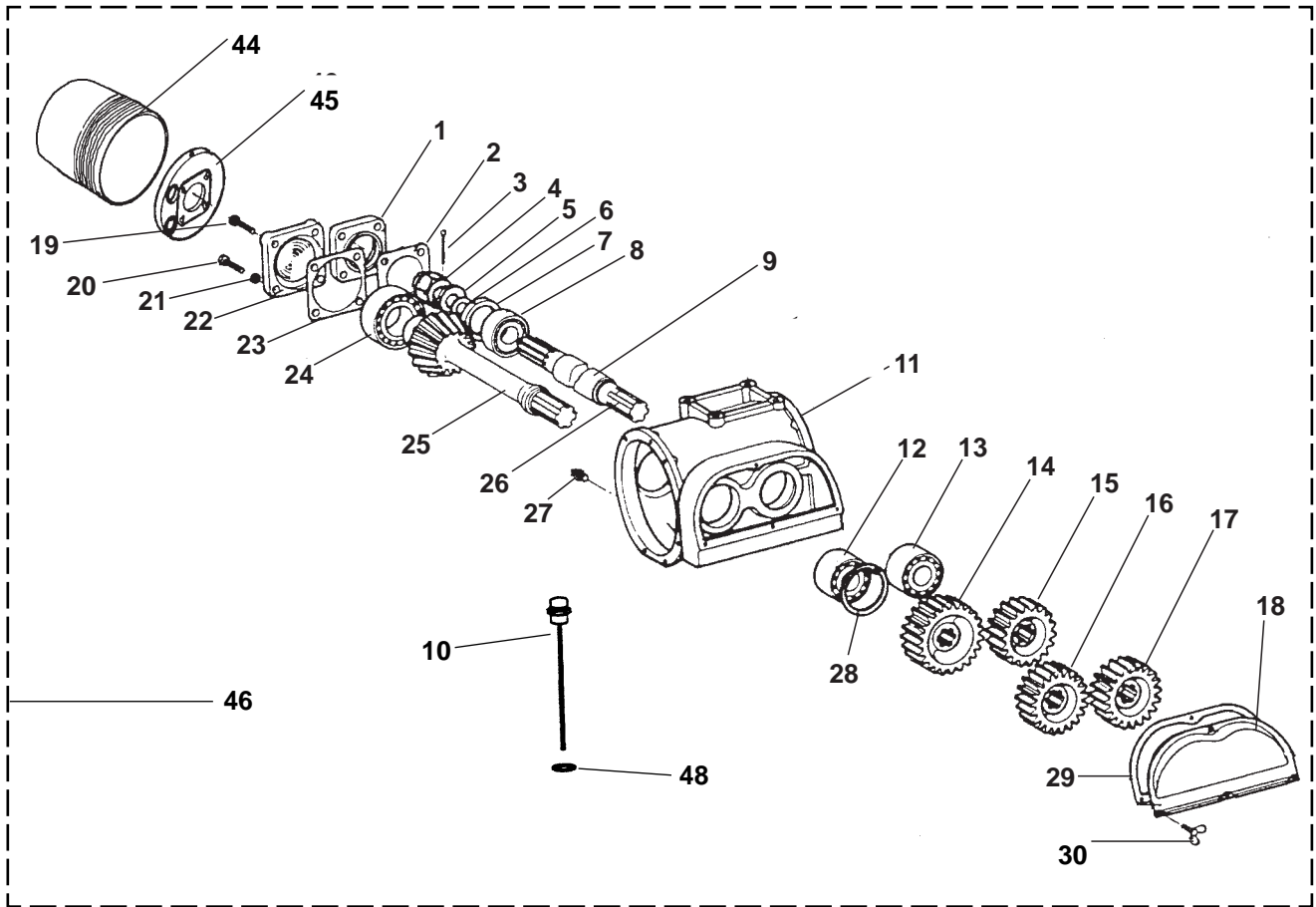
ROTAVATOR / ROTALABOUR 600



ROTAVATOR / ROTALABOUR 600



ROTAVATOR / ROTALABOUR 600 B



REAR PTO KIT
KIT ADAPTATION PTO ARRIERE
DURCHTRIEB VOLLST
ASSIEME PREZA DI FORZA POSTERIORE

653 456

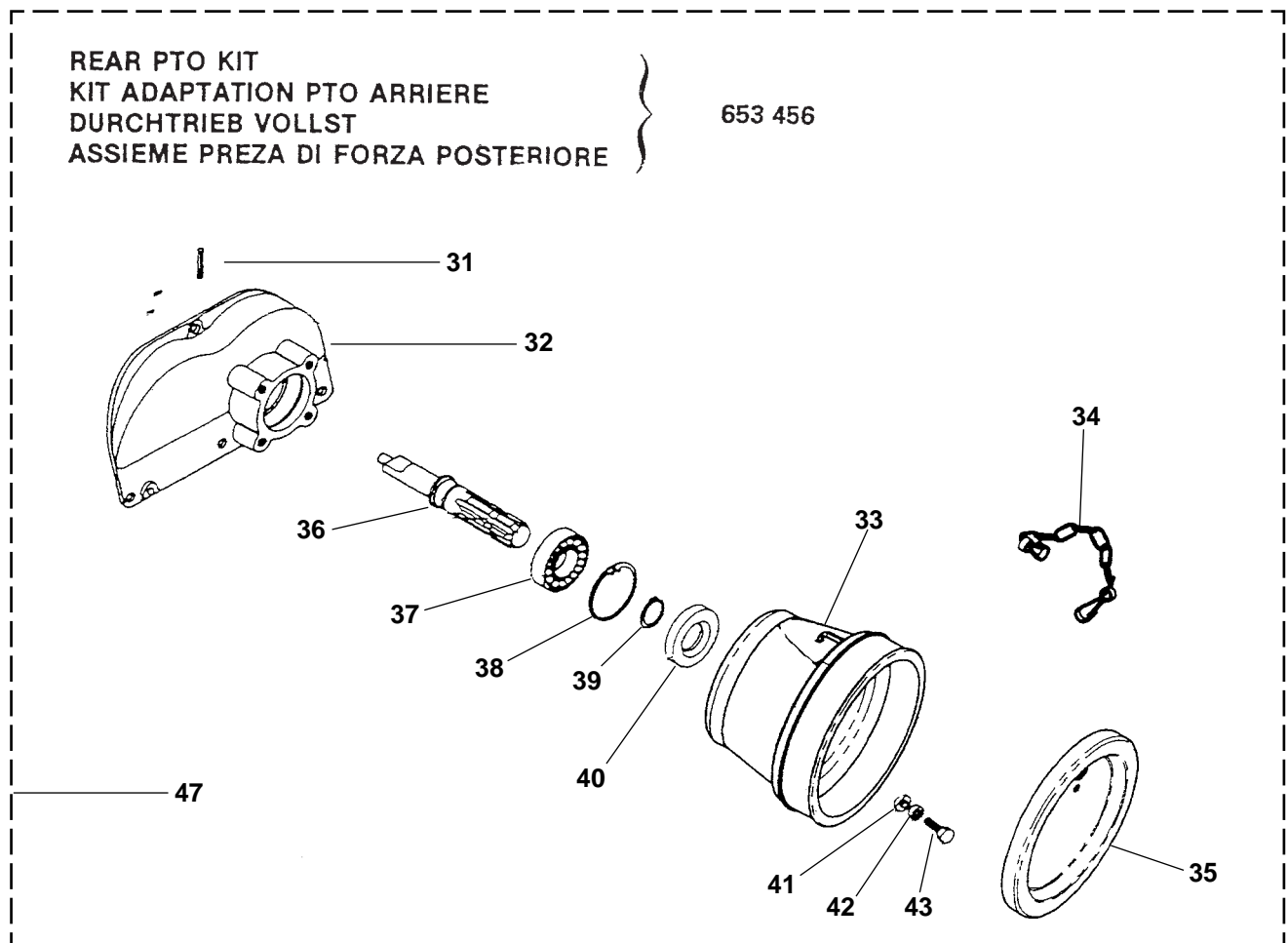


Fig.	Serial nº	Part nº	Pieces	Notes
1		71 000653360	1	
2		71 000650036	1	0,10 mm.
2		71 000650037	1	0,25 mm.
2		71 000650038	1	0, 50 mm.
3		208 010 860	1	Pin
4		307 624 145	1	Nut M24 x1,5
5		71 000652847	1	
6		71 000652848	1	
7		267 555 102	1	Seal 75x55x10
8		254 585 251	1	Bearing # 32209
9		71 000756504	1	
10		74 966879000	1	
11		71 000756905	1	
12		254 510 381	1	Bearing #32309
13		254 514 381	1	Bearing #32309
14		71 000653403	1	22 Z Standard
14		71 000756488	1	25 Z optional
15		71 000653402	1	19 Z standard
15		71 000756485	1	16 Z opcional
16		71 000756296	1	20 Z standard
16		71 000756295	1	18 Z opcional
17		71 000756297	1	21 Z standard
17		71 040756298	1	23 Z optional
17		71 440756489	1	27 Z Optional
18		71 000756550 R	1	
19		301 214 404	6	Bolt M 14 x 40 mm.
20		301 214 350	2	Bolt M 14 x 35 mm.
21		308 140 045	4	Spring washer M14
22		71 000756807	1	
23		71 000756206	1	0,10 mm.
23		71 000756839	1	0,25 mm.
23		71 000756840	1	0, 50 mm.
24		256 711 301	1	Bearing # 3984 - 3920
25		71 000653486	1	
26		71 000653695	1	
27		203 031 180	1	Plug 3/8"
28		208 101 520	1	Seeger I -100
29		71 000756250	1	
30		301 210 300	4	Bolt M10 x 30 mm.
31		208 089 455	1	Pin
32		71 000653454 R	1	
33		74 966882400	1	
34		74 966882800	1	
35		74 966882500	1	
36		71 000651875	1	
37		253 572 171	1	Bearing # 6207
38		208 101 410	1	Seeger I-72
39		208 102 280	1	Seeger E-35
40		267 235 123	1	Seal 72 x 35 x 12 mm.
41		308 110 015	4	Flat washer
42		308 100 045	4	Spring washer M 10
43		301 410 255	4	Setscrew M10 x 25 mm.
44		74 966829200	1	
45		74 966829400	1	
46		71 000653351	1	
46		71 000653457	1	
47		74 000653456	1	
48		74 202029600		Metal Rubber washer

ROTAVATOR / ROTALABOUR 600 S

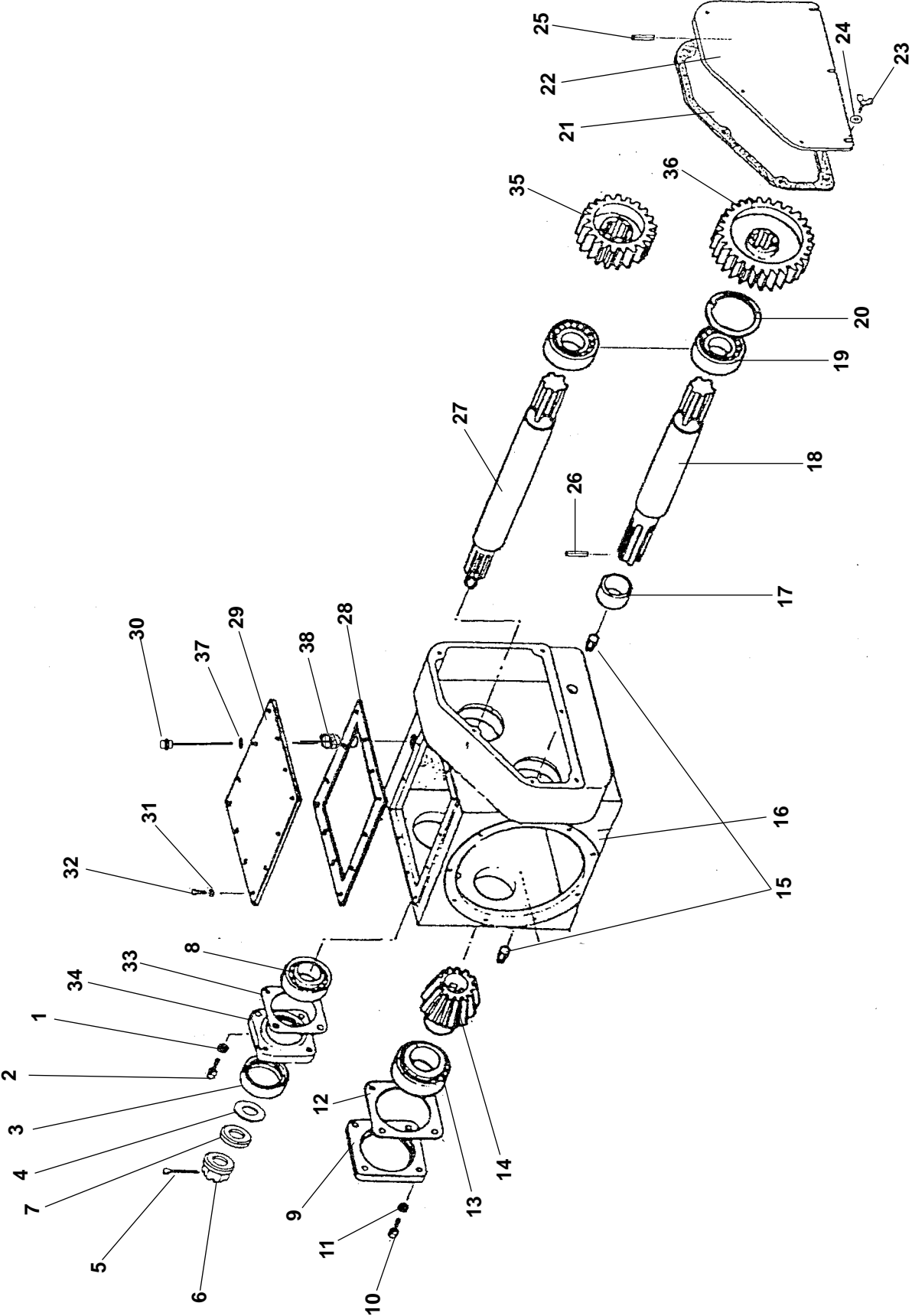
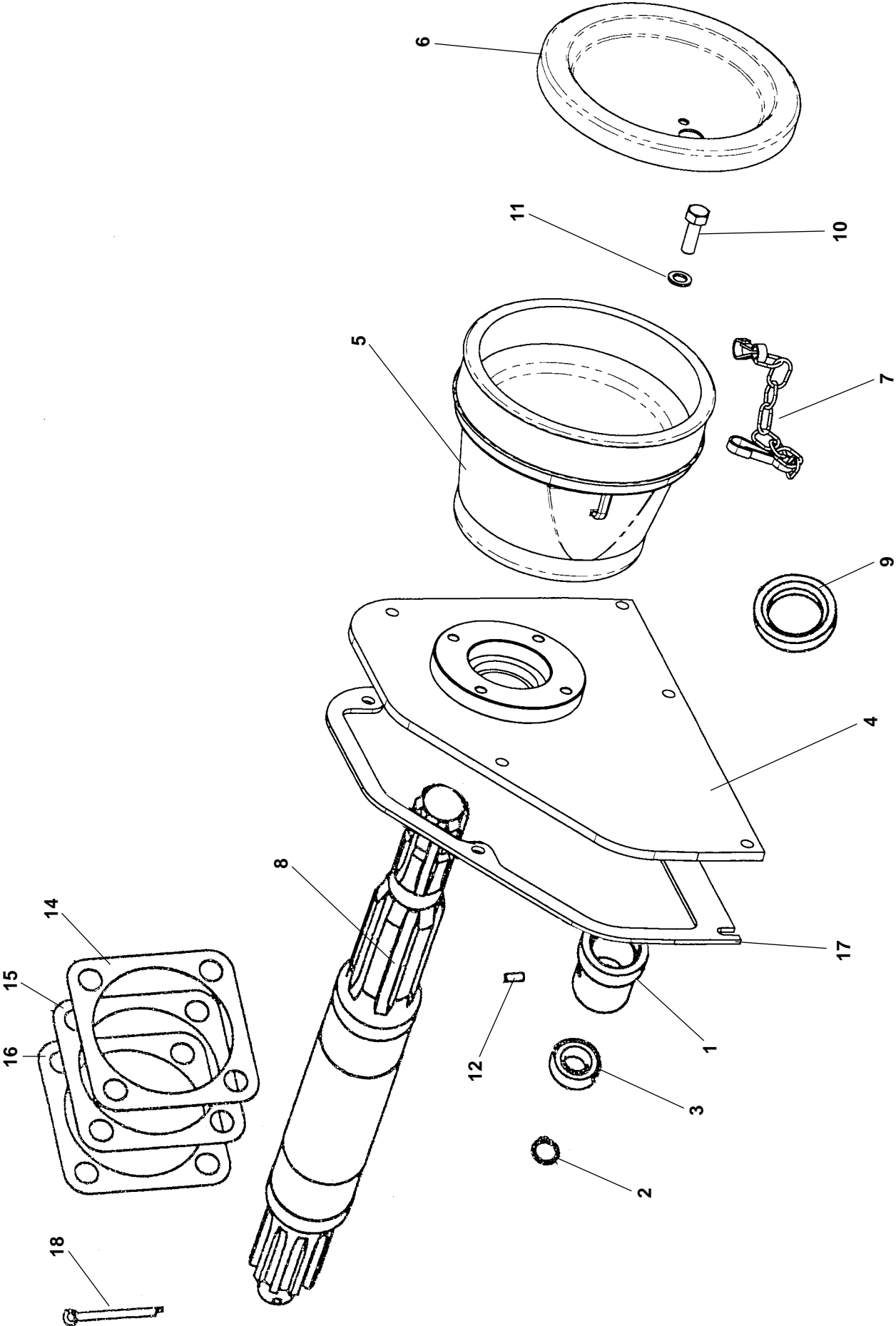


Fig.	Serial nº	Part nº	Pieces	Notes
1		308 140 045	4	Spring Washer M14
2		301 414 355	4	Setscrew M14 x 35 mm.
3		267 555 102	1	Seal 75 x 55 x 10 mm.
4		71 000756176	1	
5		208 010 860	1	Pin 5 x 50 mm.
6		307 624 145	1	Slotted Nut M24
7		71 000652847	1	
8		254 585 251	1	Bearing # 32209
9		71 000653002 R	1	
10		301 414 305	2	Setscrew M14 x 30 mm.
10		301 414 355	2	Setscrew M14 x 35 mm.
11		308 140 045	1	Spring Washer M14
12		71 000756206	1	0,1 mm.
12		71 000756839	1	0,25 mm.
12		71 000756840	1	0,5 mm.
13		256 011 282	1	Bearing #32212
14		71 000652022	1	Z 13
15		203 031 190	2	Plug 1/2"
15		203 031 060	1	Plug 3/4"
16		71 000109806 R	1	
17		71 000652021	1	
18		71 000109807	1	
19		254 510 256	2	Bearing #30309
20		208 101 520	1	Circlip I-100
21		71 000109810	1	
22		71 000109811 R	1	
23		317 410 305	5	Wing Screw M10 x 30 mm.
24		209 019 230	5	Washer contact
25		208 089 940	1	Tension pin 10 x 40 mm.
26		208 012 650	1	Tension pin 6 x 35 mm.
27		71 000109808	1	
28		71 000652025	1	
29		71 000109809	1	
30		74 966879000	1	Plug 3/4"
31		209 019 370	12	Washer contact
32		301 408 165	12	Setscrew M8 x 16mm.
33		71 000650036	1	0,1 mm.
33		71 000650037	1	0,25 mm.
33		71 000650038	1	0,5 mm.
34		71 000653360 R	1	
35		71 000109890	1	Z = 20
35		71 000652018	1	Z = 21
35		71 000109892	1	Z = 22
35		71 000652486	1	Z = 23 standard
35		71 000109894	1	Z = 24 standard
36		71 000109891	1	Z = 30
36		71 000652019	1	Z = 29
36		71 000109893	1	Z = 28
36		71 000652487	1	Z = 27 standard
36		71 000109895	1	Z = 26 standard
37		74 202029600		Metal Rubber washer
38		74 966924500		

ROTAVATOR / ROTALABOUR 600 S



ROTAVATOR / ROTALABOUR 600 D

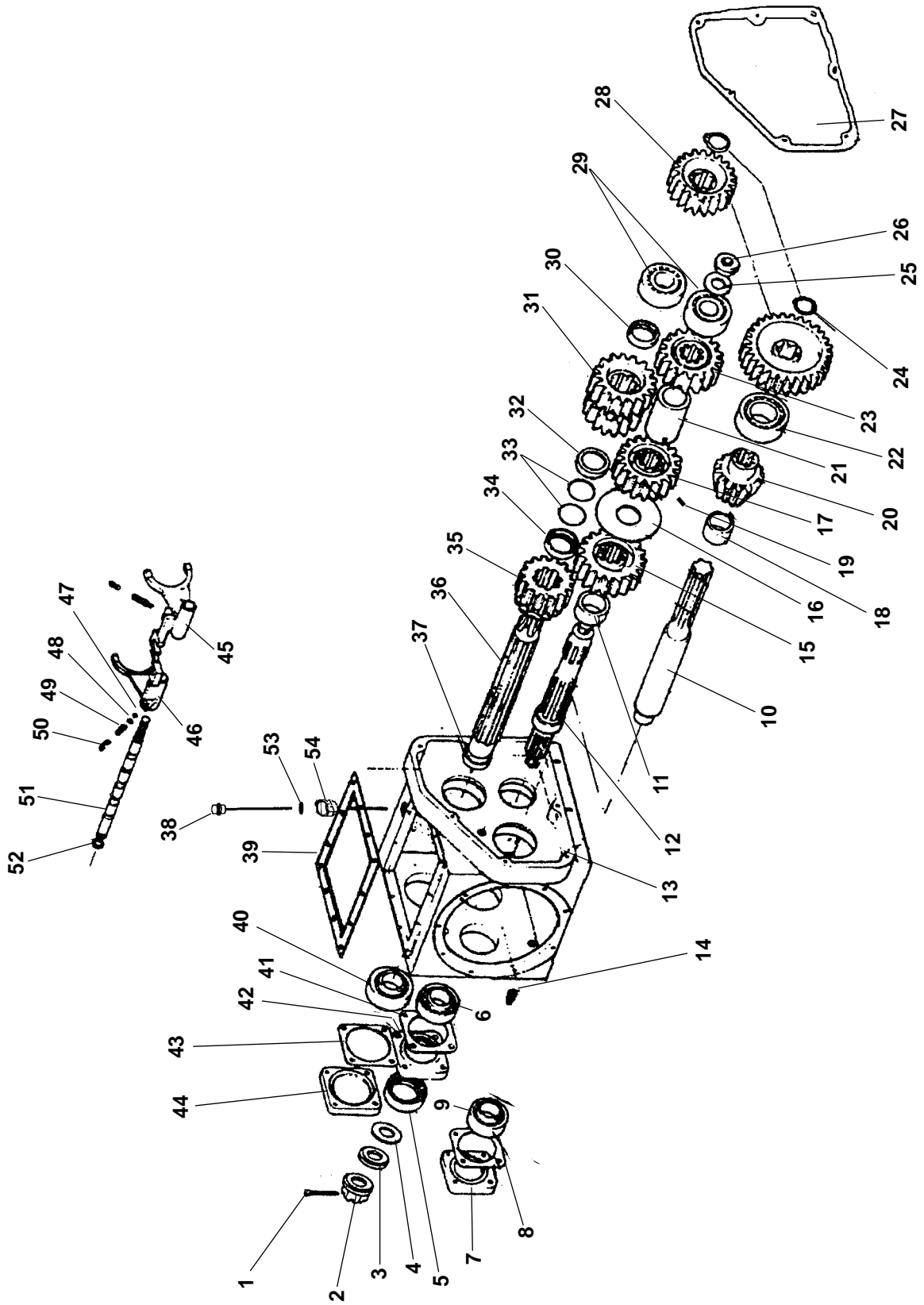
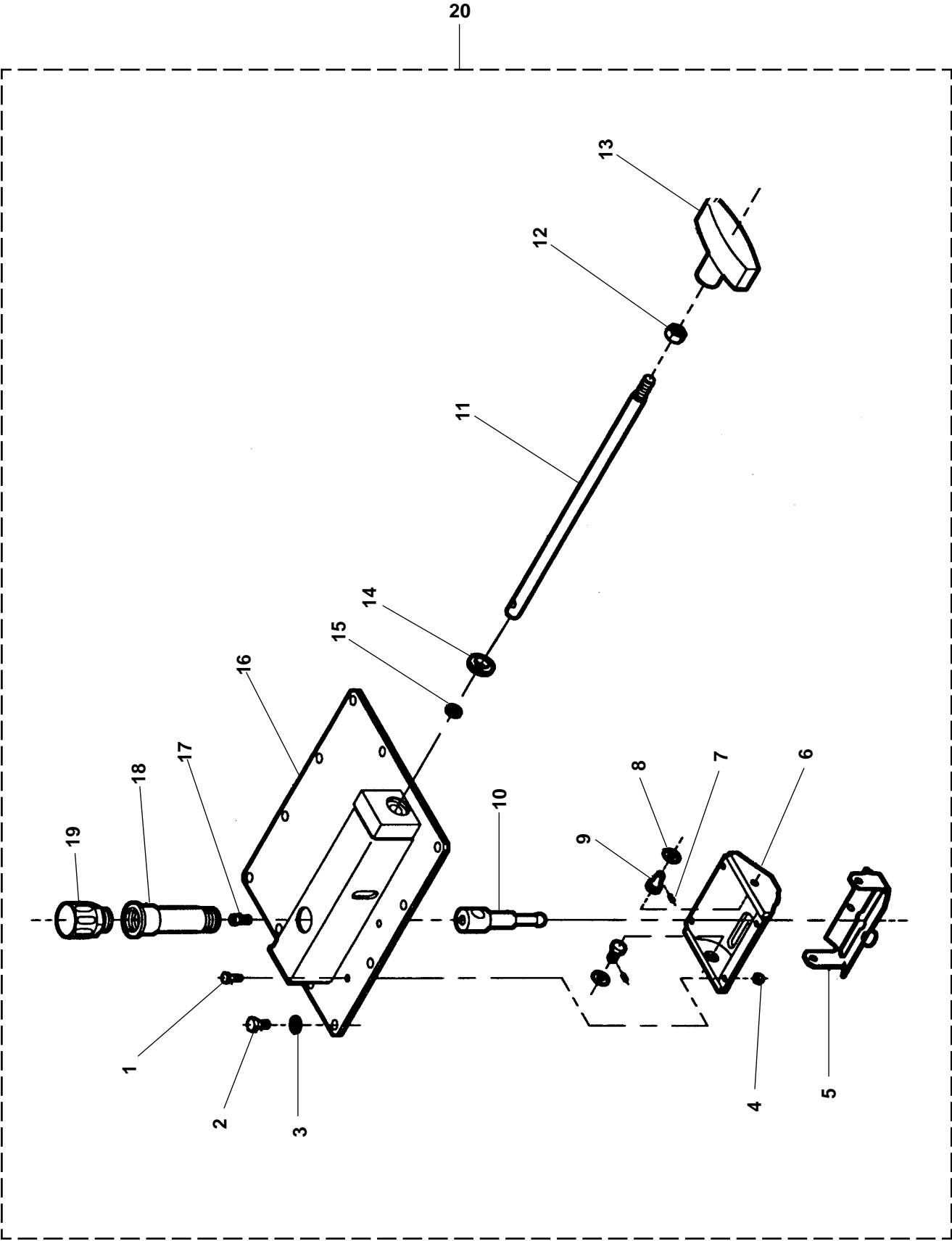


Fig.	Serial nº	Part nº	Pieces	Notes
1		208 001 860	1	Circlip I-81mm. Slotted Nut M24 x 1,5mm.
2		307 624 145	1	
3		71 000652847	1	
4		71 000652848	1	
5		267 555 102	1	
				Seal 75 x 55 x 10mm.
6		254 585 251	1	Bearing #32209
7		71 000651018 R	1	
8		71 000704161	1	
8		71 000704162	1	
8		71 000704163	1	
				0,1 mm.
				0,2 mm.
				0,5 mm.
9		254 080 251	1	Bearing #32208
10		71 000652020	1	
11		71 000652037	1	
12		71 000652635	1	
13		71 000652001 R	1	
14		203 031 580	1	Plug 3/8"
15		71 000652003	1	
16		71 000652004	1	
17		71 000652005	1	
18		71 000652021	1	
19		208 089 720	1	Pin 8 x 15mm. Z 13
20		71 000652022	1	
21		71 000652006	1	Bearing #32212
22		256 011 282	1	
23		71 000652007	1	
24		208 002 710	2	Circlip E-45mm. Belleville 28,5 x 56 x 3 mm.
25		203 026 040	1	
26		71 000652038	1	
27		71 000652023	1	
28		71 000652486	1	
				Z 23
28		71 000652487	1	Z 27
28		71 000652018	1	Z 21
28		71 000652019	1	Z 29
29		254 510 256	2	Bearing # 30309
30		71 000652009	1	
31		71 000652017	1	
32		71 000652016	1	
33		71 000652015	1	
34		71 000652016	1	
35		71 000652014	1	
36		71 000652472	1	Bearing # 30309
37		71 000652009	1	
38		71 000330046	1	
39		71 000652025	1	
40		254 510 256	1	
41		71 000650038	1	0,1 mm.
41		71 000650037	1	0,25 mm.
41		71 000650036	1	0,5 mm.
42		71 000653360 R	1	0,1 mm.
43		71 000652011	1	
43		71 000652012	1	0,25 mm.
43		71 000652013	1	0,5 mm.
44		71 000652010 R	1	
45		71 000652034	1	
46		71 000652033	1	
46				
47		250 008 001	2	Ball 9 mm.
48		71 000652159	2	
49		71 000652035	1	Socket head setscrew M10 x 20 mm. Lock nut M10
50		314 410 200	2	
50		307 210 025	2	
51		71 000652036	1	O ring 20,5 x 2,7 mm
52		202 025 290	1	
53		74 9202029630		
54		74 966924900		

ROTAVATOR / ROTALABOUR 600 D



ROTAVATOR / ROTALABOUR 600

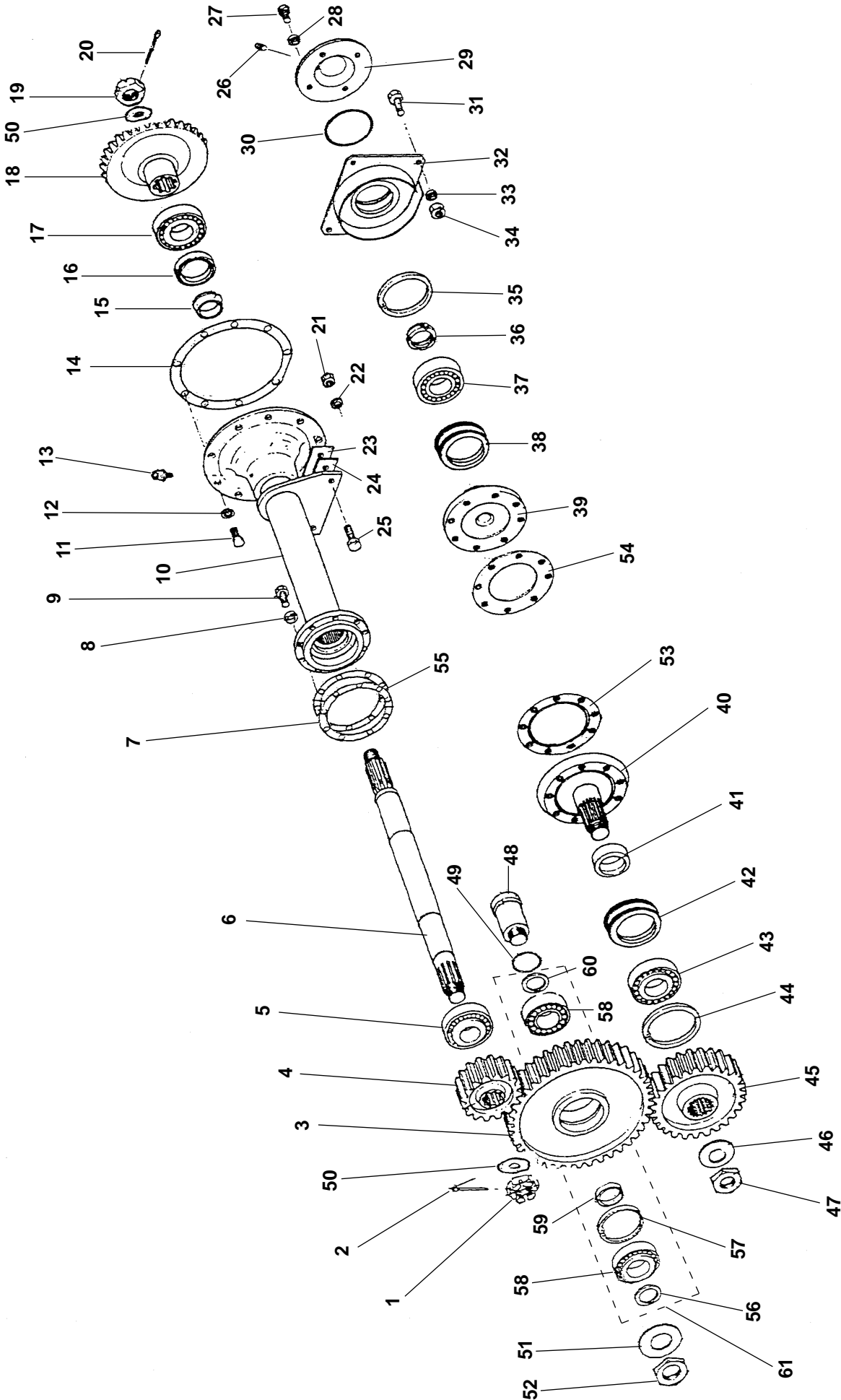
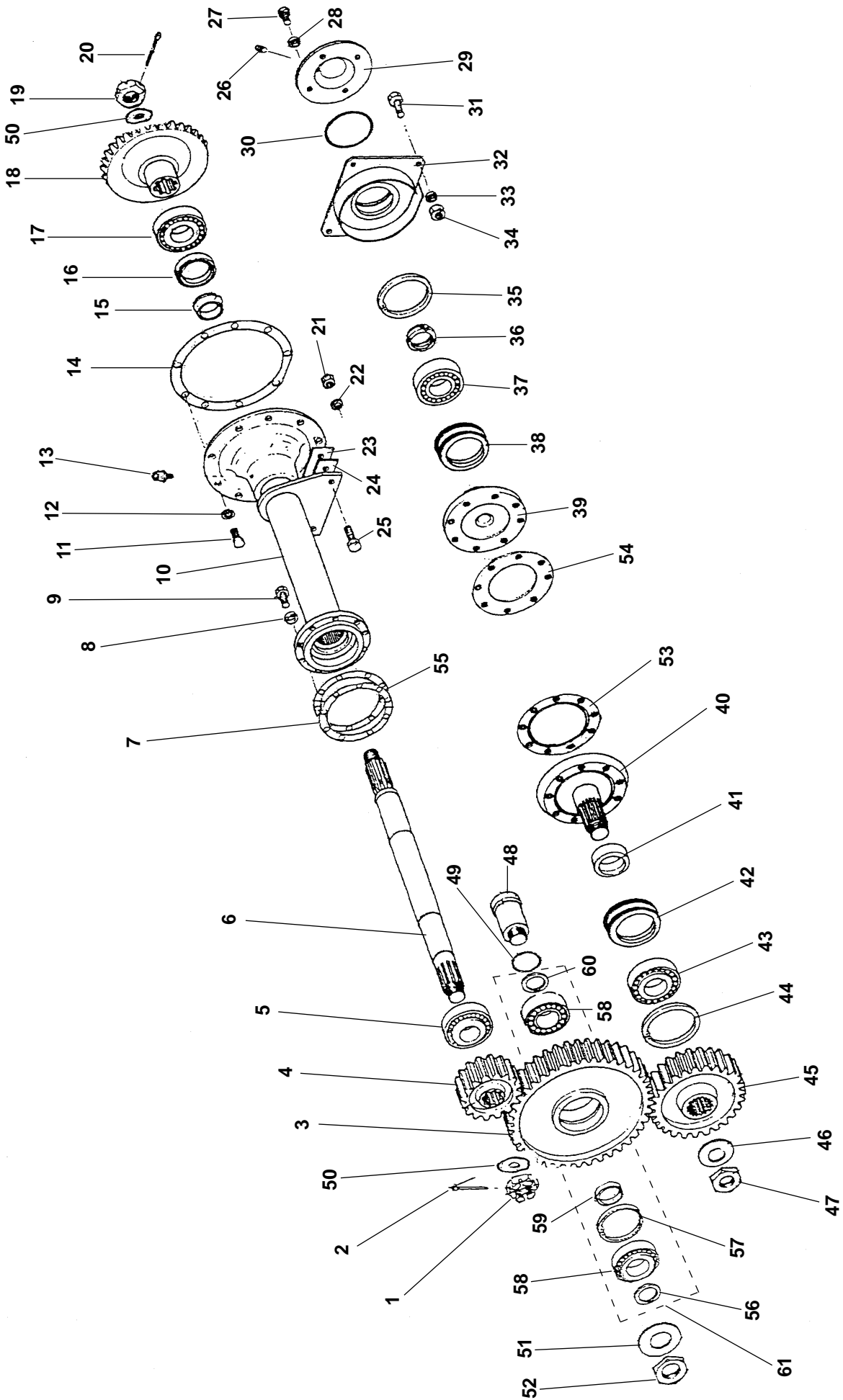


Fig.	Serial nº	Part nº	Pieces	Notes
1		307 140 140	1	Hex. Slotted nut M40 x 1,5 mm.
2		208 016 120	1	Split cotter pin 6,3 x 80 mm.
3		71 000652215	1	
4		71 000110279	1	Z = 16
5		255 512 316	1	Bearing # 30311
6		71 000109798	1	180 offset
6		71 000109790	1	180
6		71 000109799	1	205
6		71 000109800	1	230
6		71 000109801	1	255
6		71 000189303	1	280
6		71 000109802	1	305
6		71 000109803	1	355
6		71 000109804	1	405
7		71 000653387	1	
8		308 120 045	9	Spring washer M12
9		301 212 255	9	Bolt M12 x 25 mm.
10		71 000653364 R	1	180 offset*
10		71 000109379 R	1	180*
10		71 000653365 R	1	205*
10		71 000653366 R	1	230*
10		71 000653367 R	1	255*
10		71 000189300 R	1	280*
10		71 000653263 R	1	305*
10		71 000109155 R	1	355*
10		71 000653368 R	1	405*
10		74 9669 134 18 R	1	180
10		74 9669 134 20 R	1	205
10		74 9669 134 23 R	1	230
10		74 9669 134 25 R	1	255
10		74 9669 134 28 R	1	280
10		74 9669 134 30 R	1	305
10		74 9669 134 35 R	1	355
10		74 9669 134 40 R	1	405
11		301 212 305	9	Bolt M12 x 30 mm.
12		308 120 045	9	Spring washer M12
13		203 032 010	1	Breather
14		71 000110123	1	0,25 mm.
14		71 000762071	1	0,5 mm.
15		71 000762142	1	
16		269 575 121	1	Seal 95 x 75 x 12 mm.
17		257 513 311	1	Bearing # 32215
18		71 000652044	1	Z = 30 S / D
18		71 000653326	1	Z = 31 B
19		307 140 140	1	Hex. slotted nut M40 x 1,5 mm.
20		208 016 120	1	Split cotter pin 6,3 x 80 mm.
21		307 214 015	2	Nut M14
22		308 140 045	2	Spring washer M14
23		71 000653319	1	1 mm.
24		71 000653318	1	2 mm.
25		301 414 505	2	Bolt M14 x 50 mm.
26		203 031 170	1	Plug 1/4"
27		301 410 205	6	Setscrew M10 x 25 mm.
28		308 100 045	6	Spring washer M10
29		71 000109658 R	1	
30		202 074 830	1	O Ring 124 x 3 mm.
31		301 412 355	4	Setscrew M12 x 35 mm.
32		71 000109654 R	1	
33		308 120 045	4	Spring washer M12
34		307 212 015	4	Nut M12
35		208 101 590	1	Circlip I - 120
36		208 109 150	1	Self locking nut M55 x 2 mm.
37		255 512 291	1	Bearing # 6311
38		202 078 070	1	Face seal
39		71 000109653	1	
40		288 109 665	1	
41		71 000109668	1	
42		202 078 071	1	Face seal
43		256 514 335	1	Bearing # 21313
44		208 001 570	1	Circlip I - 140
45		71 000109664	1	Z = 27
46		203 026 100	1	Belleville 100 x 51 x 3,5 mm.
47		71 000650018	1	Special nut
48		71 000653325	1	
49		202 070 950	1	O Ring 60,04 x 1,78 mm.

* Ø tube 88,9 mm. until April 2005

ROTAVATOR / ROTALABOUR 600



ROTAVATOR / ROTALABOUR 600

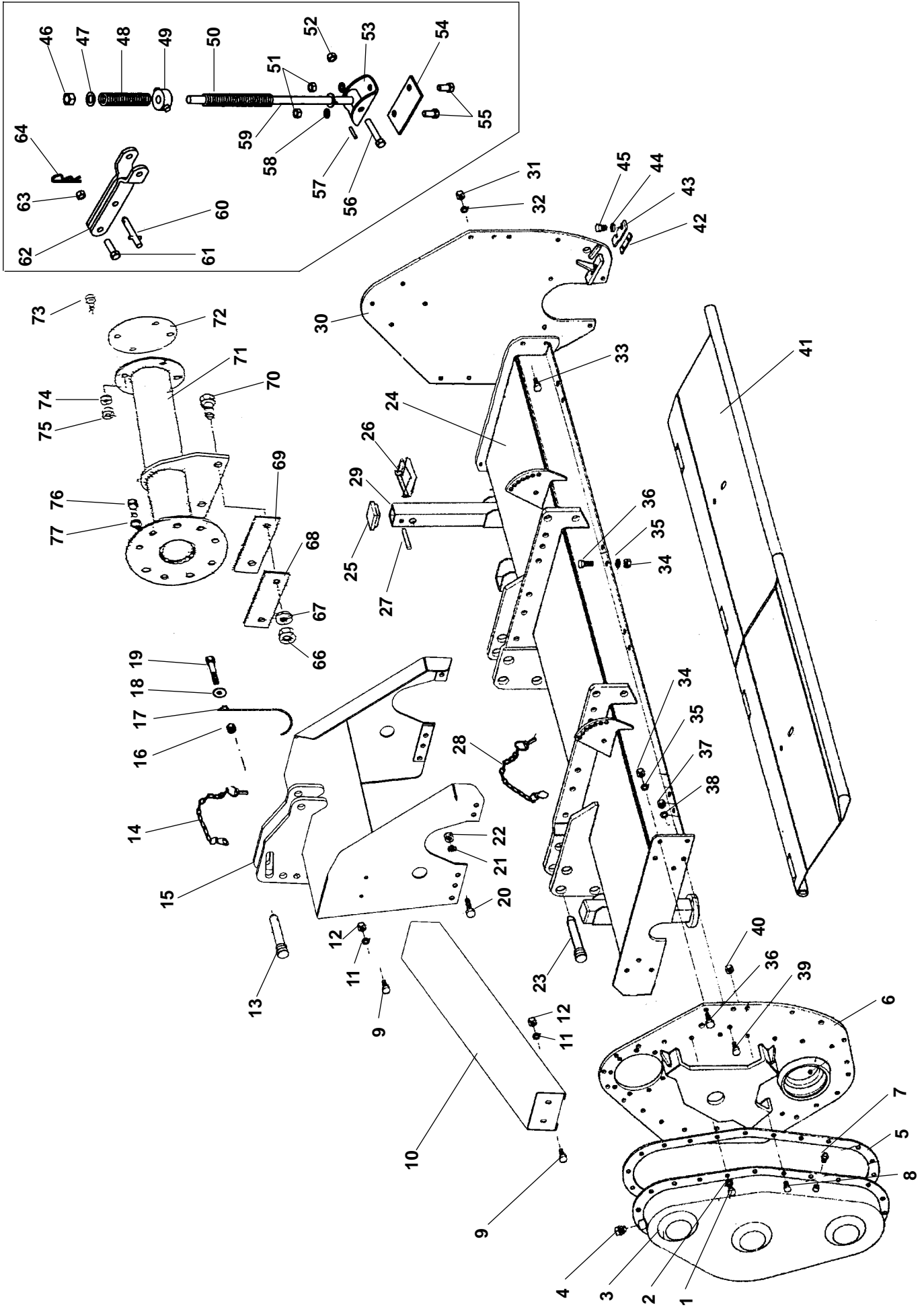


Fig.	Serial nº	Part nº	Pieces	Notes	
1		301 408 165	3	Setscrew M8 x 16 mm.	
2		209 019 370	22	Washer contact M8	
3		71 000653336 R	1	Plug 3/4"	
4		203 031 200	1		
5		71 000653489	1		
6		71 918927700 R	1		
7		203 031 050	2	Plug 1/8"	
8		301 408 305	19	Setscrew M8 x 30 mm.	
9		301 212 300	8	Bolt M12 x 30 mm.	
10		71 918926400 R	2	205 - 255	
10		71 9189264 01 R	2	280 - 355	
10		71 9189264 02 R	2	405	
11		308 120 045	8	Spring washer M12	
12		307 212 015	8	Nut M12	
13		71 000653321	1		
14		74 966887500	3	Self locking nut M12	
15		71 9189259 00 R	1		
16		307 212 125	1		
17		71 000109784	1		
17		71 000109785	1		D
18		74 000640577	1	Special washer	
19		301 212 455	1	Bolt M12 x 45 mm.	
20		301 216 555	10	Bolt M16 x 55 mm.	
21		209 019 340	10	Washer contact	
22		307 216 125	10	Selflocking nut M16	
23		71 000653320	2	180 offset	
24		71 9189252 00 R	1		
24		71 9189252 01 R	1		
24		71 9189251 00 R	1		
24		71 9189252 02 R	1		
24		71 9189251 01 R	1	230 B	
24		71 9189252 03 R	1	230 S	
24		71 9189251 02 R	1	255 B	
24		71 9189252 04 R	1	255 S	
24		71 9189251 03 R	1	280 B	
24		71 9189252 05 R	1	280 S	
24		71 9189251 04 R	1	305 B	
24		71 9189252 06 R	1	305 S	
24		71 9189252 07 R	1	355 S	
24		71 9189252 08 R	1	405 S	
25		208 044 090	2	Plug	
26		208 092 130	2	Pin	
27		208 089 030	2	Elastic pin	
28		71 000109959	2		
29		71 000109290	2		
30		71 9189278 00 R	1	Nut M12	
31		307 212 015	4		
32		308 120 040	4		Spring washer M12
33		301 212 355	4		Bolt M12 x 35 mm.
34		307 212 015	#		Nut M12
35		308 120 045	#	Spring washer M12	
36		301 212 355	#	Bolt M12 x 35 mm.	
37		307 214 010	12	Nut M14	
38		308 140 040	12	Spring washer M14	
39		301 214 350	12	Bolt M14 x 35 mm.	
40		307 208 125	19	Selflocking nut M8	
41		74 9668557 18 R	1	180	
41		74 9668557 20 R	2	205	
41		74 9668557 23 R	2	230	
41		74 9668557 13 R	2	255	
41		74 9668557 28 R	2	280	
41		74 9668557 15 R	2	305	
41		74 9668557 35 R	2	355	
41		74 9668557 40 R	2	405	
42		71 000653323	2		
43		71 000653322	2	Spring washer M8	
44		308 080 045	4		
45		301 208 255	4		Bolt M8 x 25 mm.
46		307 216125	1		Selflocking nut M116
47		308 170017	2		Flat washer dia. 17 mm.
48		71 000653632	1	Nut M12	
49		71 000653629	1		
50		71 000653633	1		
51		307 212 015	1		Nut M12
52		307 212 125	1		Selflocking nut

ROTAVATOR / ROTALABOUR 600

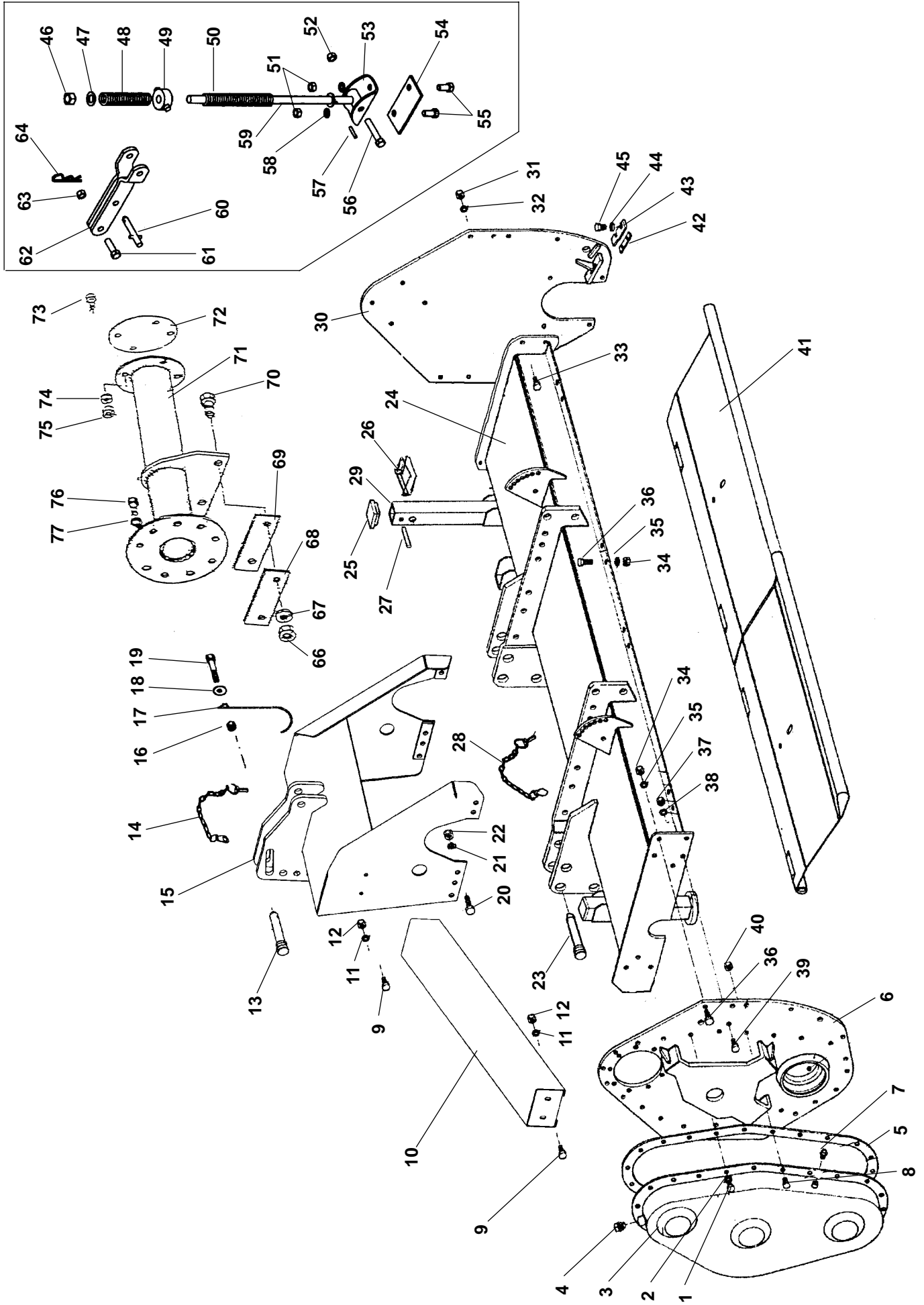


Fig.	Serial n°	Part n°	Pieces	Notes
53		71 000650125	1	
54		71 000651868	1	
55		301 212 305	2	Bolt M12 x 30 mm.
56		301 212 755	1	Bolt M12 x 75 mm.
57		208 012 520	1	Spring pin 6 x 30 mm.
58		308 120 045	2	Spring washer M12
59		71 000653635	1	.
60		71 000107277	1	
61		301 212 455	1	Bolt M12 x 45 mm.
62		71 000651655	1	
63		307 212 015	2	Selflocking nut M12
64		74 000649654	1	Nylocknut M12
65		71 000653636	#	Complet kit
66		307 214 015	2	Nut M14
67		308 140 045	2	Spring washer M14
68		71 000653319	1	1 mm.
69		71 000653318	1	2 mm.
70		301 214 505	2	Bolt M14x50 mm.
71		71 9189284 18 R	1	180 B*
71		71 9189284 00 R	1	205 B*
71		71 9189284 01 R	1	230 B*
71		71 9189284 02 R	1	255 B*
71		71 9189284 03 R	1	280 B*
71		71 9189284 04 R	1	305 B*
71		71 9189298 18 R	1	180 S/D*
71		71 9189298 20 R	1	205 S/D*
71		71 9189298 23 R	1	230 S/D*
71		71 9189298 25 R	1	255 S/D*
71		71 9189298 28 R	1	280 S/D*
71		71 9189298 30 R	1	305 S/D*
71		71 9189298 35 R	1	355 S/D*
71		71 9189298 40 R	1	405 S/D*
71		74 9669135 18 R	1	180 B
71		74 9669135 20 R	1	205 B
71		74 9669135 23 R	1	230 B
71		74 9669135 25 R	1	255 B
71		74 9669135 28 R	1	280 B
71		74 9669135 30 R	1	305 B
71		74 9669136 18 R	1	180 S/D
71		74 9669136 20 R	1	205 S/D
71		74 9669136 23 R	1	230 S/D
71		74 9669136 25 R	1	255 S/D
71		74 9669136 28 R	1	280 S/D
71		74 9669136 30 R	1	305 S/D
71		74 9669136 35 R	1	355 S/D
71		74 9669136 40 R	1	405 S/D
72		71 000109777	1	
73		301 416 455	4	Setscrew M16 x 45 mm.
74		308 160 045	4	Spring washer M16
75		307 216 015	4	Nut M16
76		301 412 305	9	Setscrew M12 x 30 mm.
77		308 120 045	9	Spring washer M12

* Ø tube 88,9 mm. until April 2005

ROTAVATOR / ROTALABOUR 600

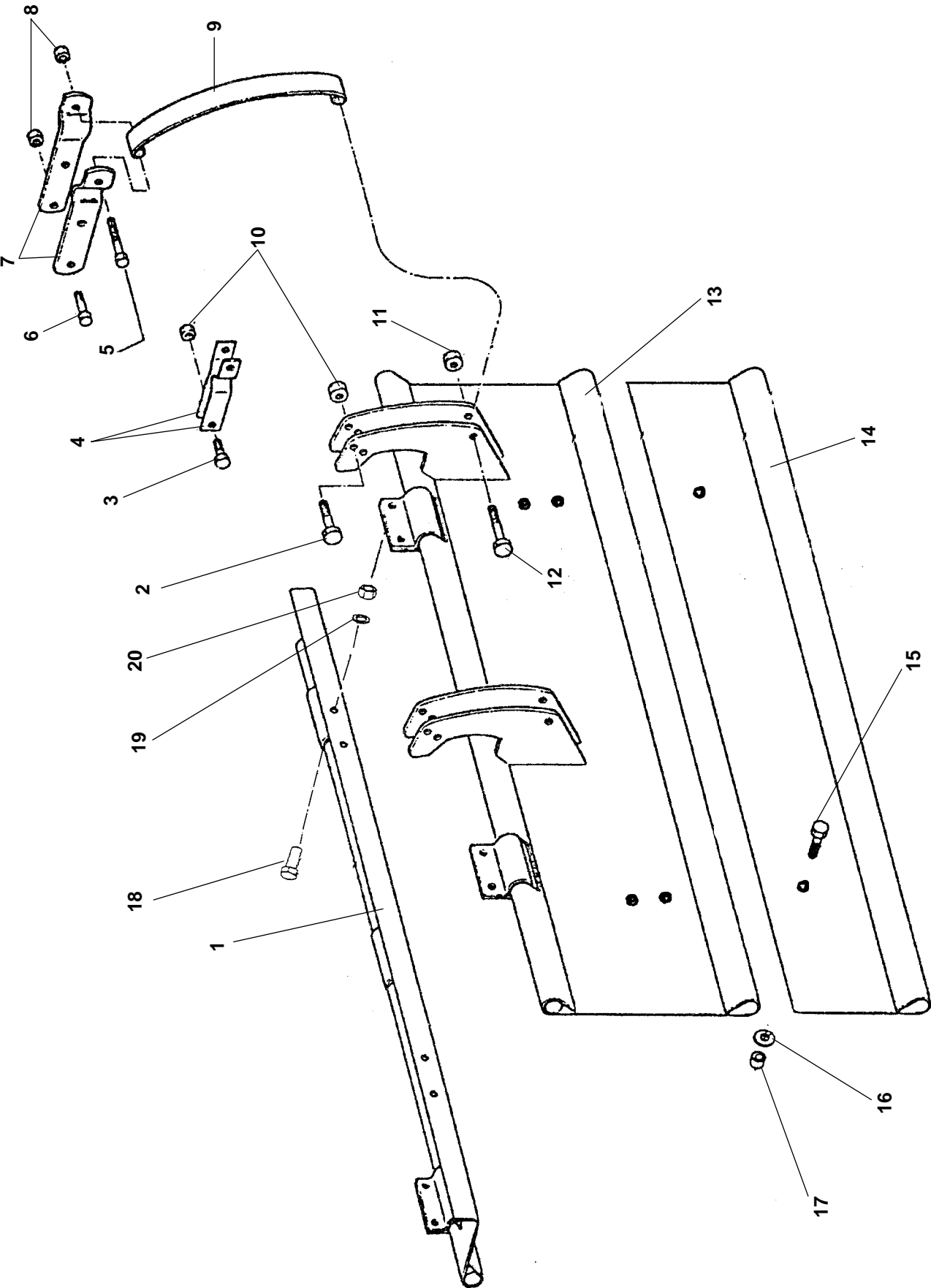
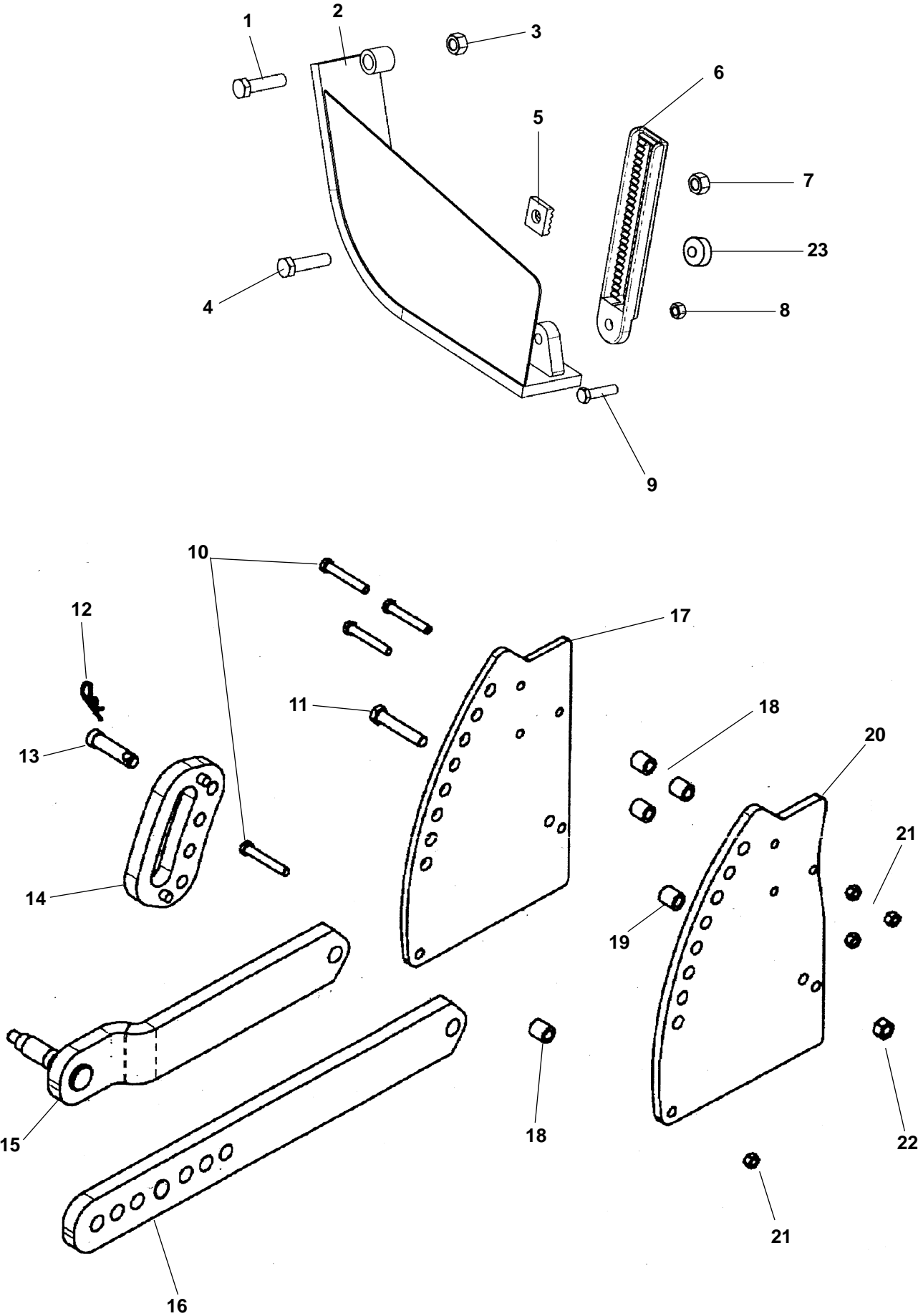


Fig.	Serial nº	Part nº	Pieces	Notes
1		71 9189293 00 R	1	180
1		71 9189293 02 R	2	205
1		71 9189293 03 R	2	230
1		71 9189293 04 R	2	255
1		71 9189293 05 R	2	280
1		71 9189293 06 R	2	305
1		71 9189293 07 R	2	355
1		71 9189293 08 R	2	405
2		301 210 705	1	Bolt M10 x 70 mm.
3		301 210 355	1	Bolt M10 x 35 mm.
4		71 000109376 R	#	
5		301 212 755	#	Bolt M12 x 75 mm.
6		301 212 405	#	Bolt M12 x 40 mm.
7		71 000652812 R	#	
8		307 212 050	#	Nyloc nut M12
9		71 000335118 V	#	
10		307 210 050	#	Nyloc nut M10
11		307 212 050	#	Nyloc nut M12
12		301 212 705	#	Bolt M12 x 70 mm.
13		71 918929500 R	1	180
13		71 9189295 02 R	2	205
13		71 9189295 03 R	1	230 ◀
13		71 9189295 04 R	1	230 ▶
13		71 9189295 05 R	1	255 ◀
13		71 9189295 06 R	1	255 ▶
13		71 9189295 07 R	1	280 ◀
13		71 9189295 08 R	1	280 ▶
13		71 9189295 09 R	1	305
13		71 9189295 10 R	2	355
13		71 9189295 11 R	2	405
14		71 9189297 18 R	1	180
14		71 9189297 20 R	2	205
14		71 9189297 23 R	2	230
14		71 9189297 00 R	2	255
14		71 9189297 01 R	2	280
14		71 9189297 02 R	2	305
14		71 9189297 03 R	2	355
14		71 9189297 04 R	2	405
15		301 212 300	#	Bolt M12 x 30 mm.
16		308 120 045	#	Spring washer M12
17		307 212 015	#	Nut M12
18		303 212 305	#	Bolt M12 x 30 mm.
19		108 081 440	#	Spring washer M12
20		307 212 050	#	Selflocking nut M12

ROTAVATOR / ROTALABOUR 600



ROTAVATOR / ROTALABOUR 600

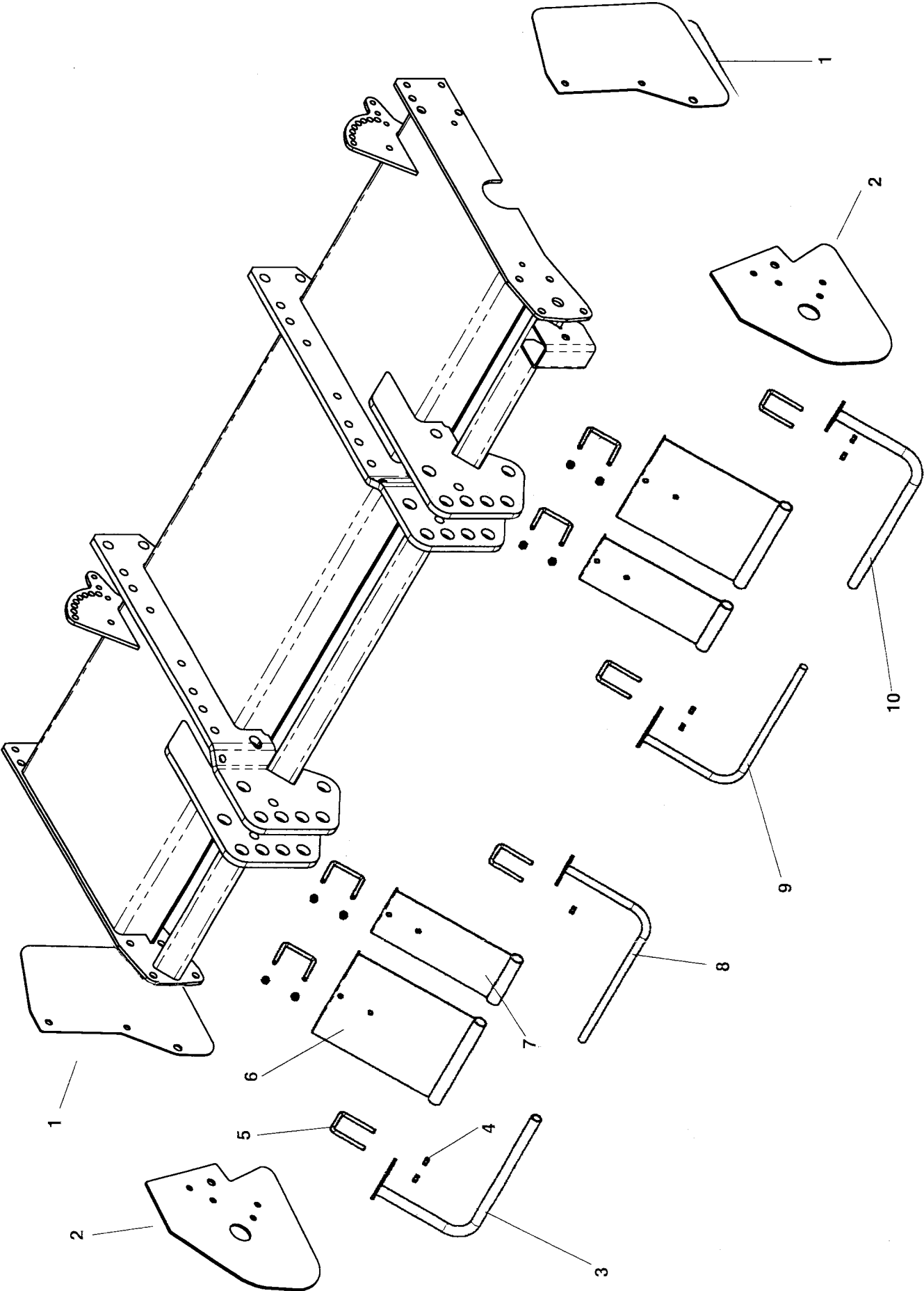
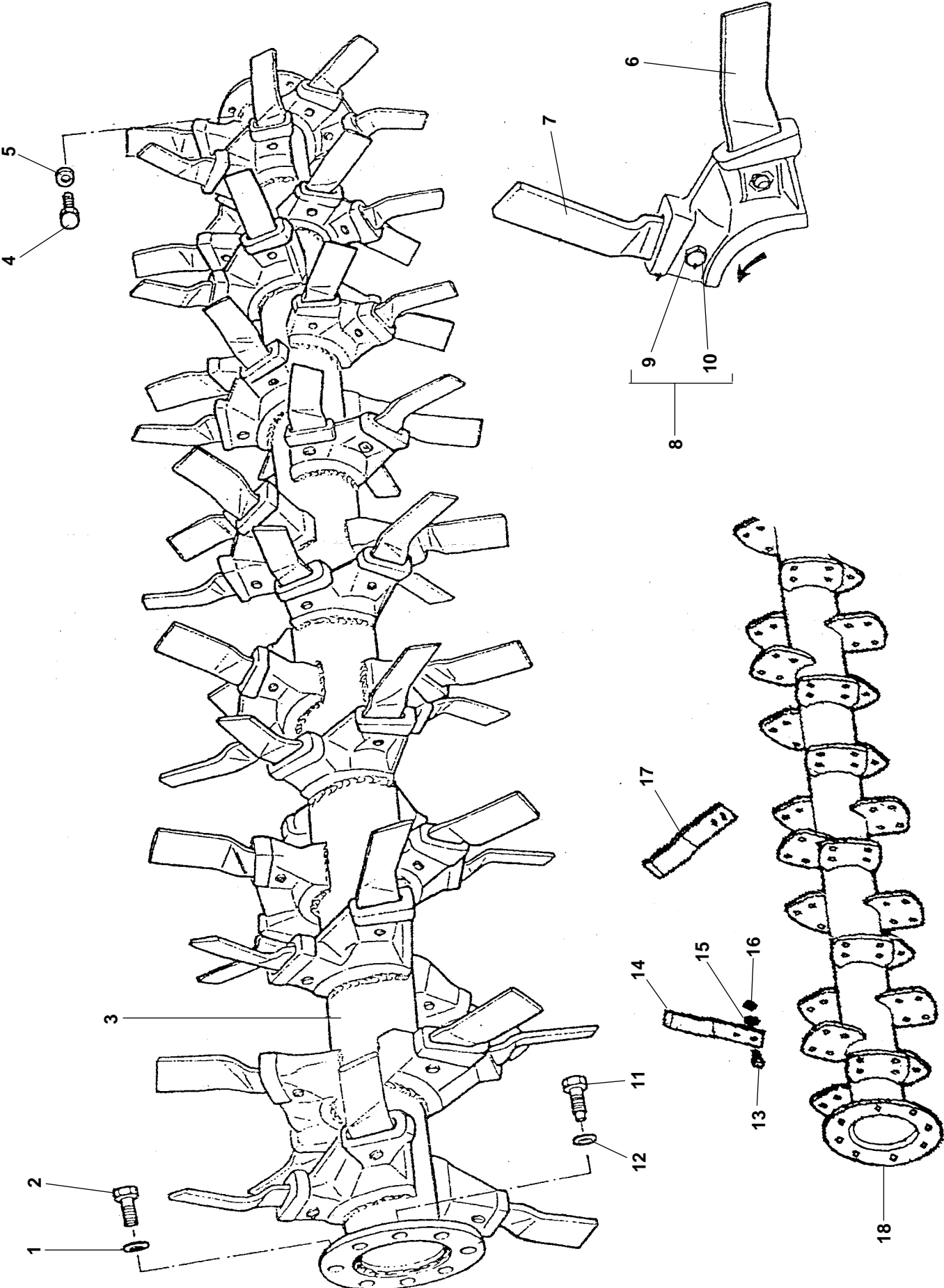


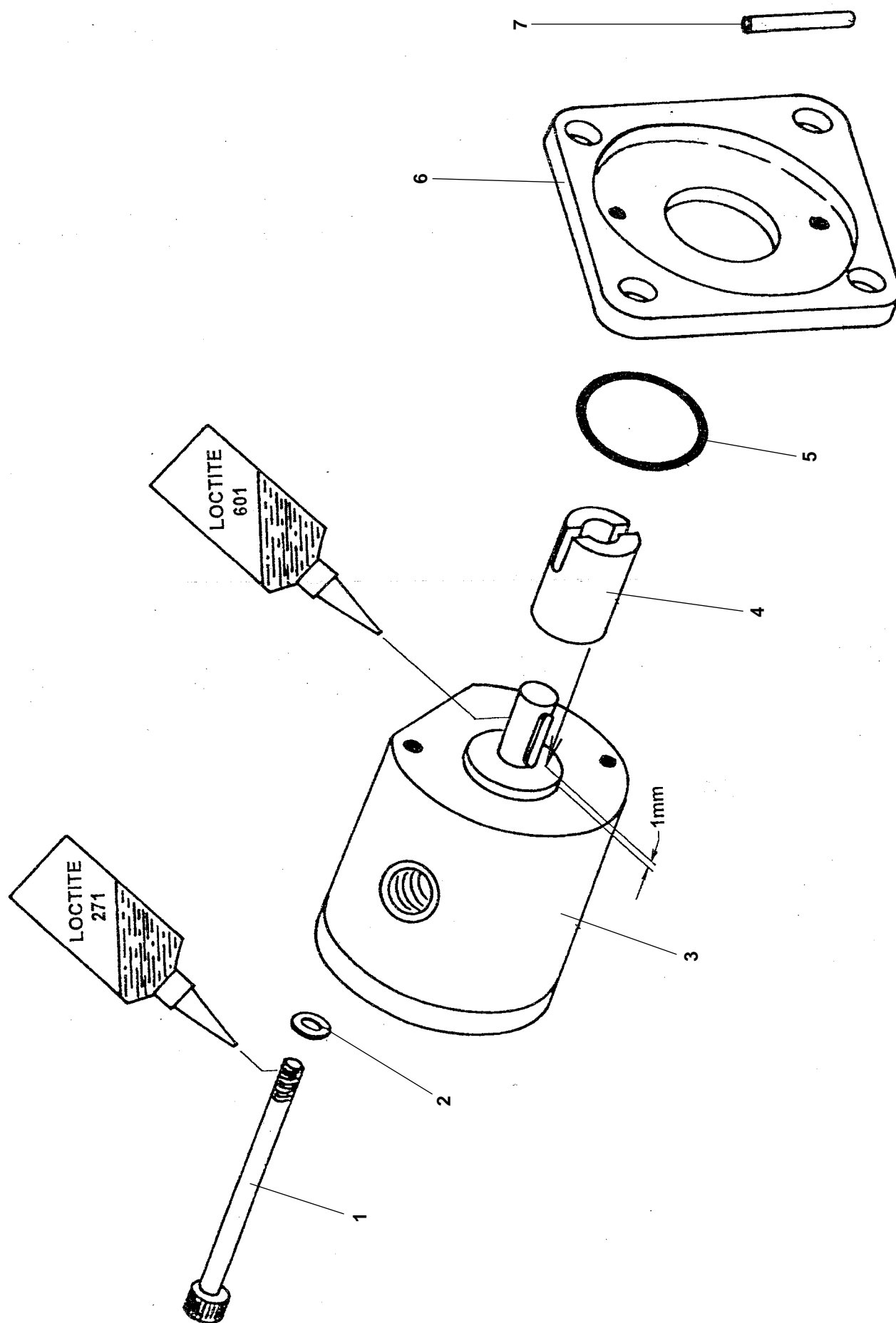
Fig.	Serial nº	Part nº	Pieces	Notes
1		71 000762130	#	Bolt blade F
1		208 056 999	#	Bolt blade S
2		308 160 045	#	Spring washer M16
3		208 056 470	#	Nut M16 grade 12
4		71 000762013	#	Special bolt
5		301 116 355	8	Bolt fine M16 x 35 mm.
6		308 160 045	8	Spring washer M16
7		71 0006533 78 R	1	Rotor S 180
7		71 0006533 76 R	1	Rotor S 205
7		71 0006533 74 R	1	Rotor S 230
7		71 0006533 69 R	1	Rotor S 255
7		71 0001104 31 R	1	Rotor S 280
7		71 0006532 50 R	1	Rotor S 305
7		71 0001096 46 R	1	Rotor S 355
7		71 0006536 52 R	1	Rotor F 180
7		71 0006536 53 R	1	Rotor F 205
7		71 0006536 55 R	1	Rotor F 230
7		71 0006536 56 R	1	Rotor F 255
7		71 0001104 32 R	1	Rotor F 280
7		71 0006536 57 R	1	Rotor F 305
7		74 9669025 00 R	1	F 355
7		71 0001096 00 R	1	F 405
7		74 9669148 18 R	1	S 180*
7		74 9669148 20 R	1	S 205*
7		74 9669148 23 R	1	S 230*
7		74 9669148 25 R	1	S 255*
7		74 9669148 28 R	1	S 280*
7		74 9669148 30 R	1	S 305*
7		74 9669149 35 R	1	S 355 Double tube*
7		74 9669150 18 R	1	F 180*
7		74 9669150 20 R	1	F 205*
7		74 9669150 23 R	1	F 230*
7		74 9669150 25 R	1	F 255*
7		74 9669150 28 R	1	F 280*
7		74 9669150 30 R	1	F 305*
7		74 9669151 35 R	1	F 355 Double tube*
7		74 9669151 40 R	1	F 405 Double tube*
7		74 9669149 40 R	1	S 405 Double tube*
7		74 9669149 30 R	1	S 305 Opt. double tube*
7		74 9669151 30 R	1	F 305 Opt. double tube*
8		308 160 045	1	Spring washer M16
9		208 056 470	1	Nut M16 grade 12
10		71 0006522 32	1	
11		71 0006522 31	#	
12		71 0001095 82 R	#	Rotor S A = 103 mm.
12		71 0006522 30 R	1	Rotor F
13		208 056 390	8	Bolt M16 x 40 mm.
14		308 160 045	17	Spring washer M16

* Open Rotor from March 2005

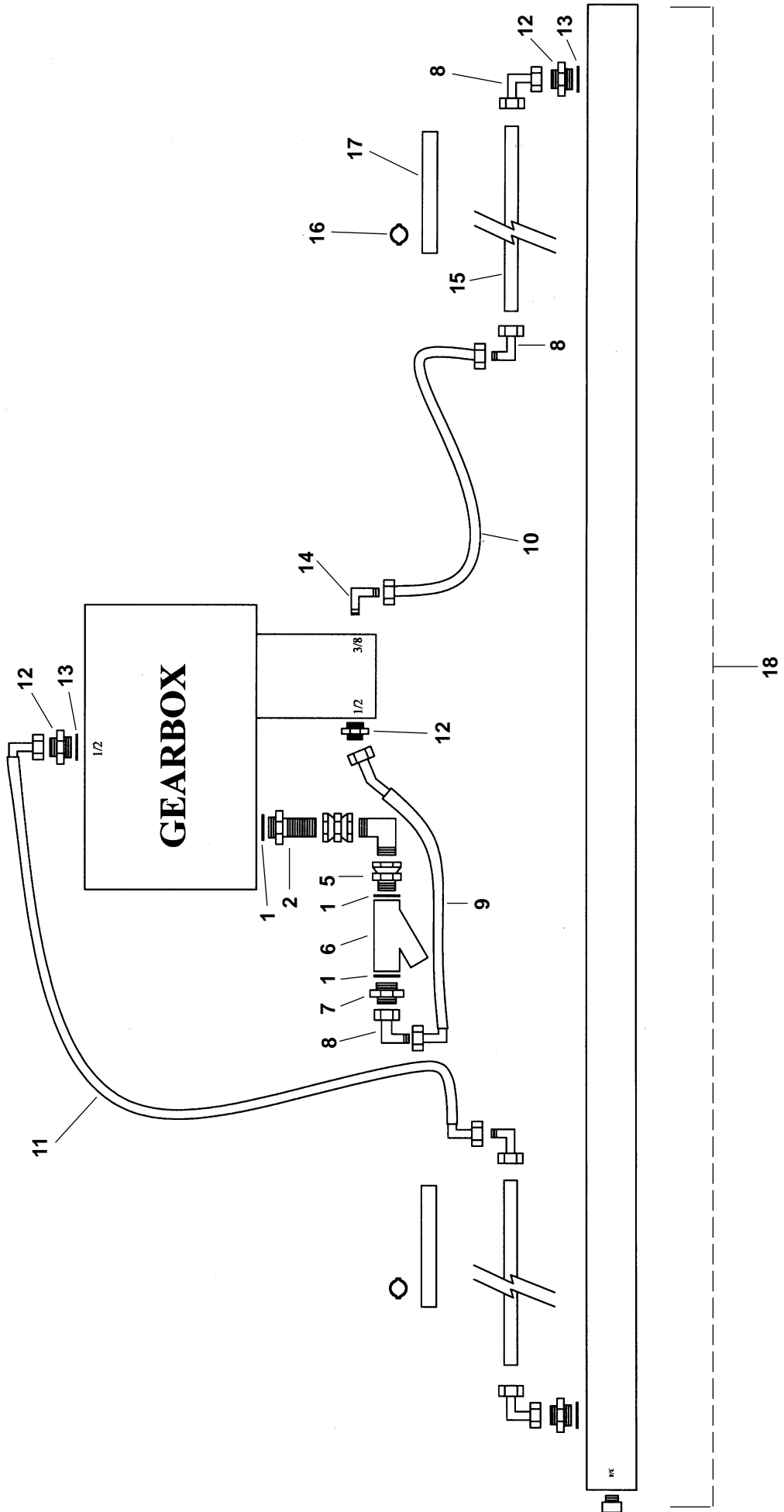
ROTAVATOR / ROTALABOUR 600



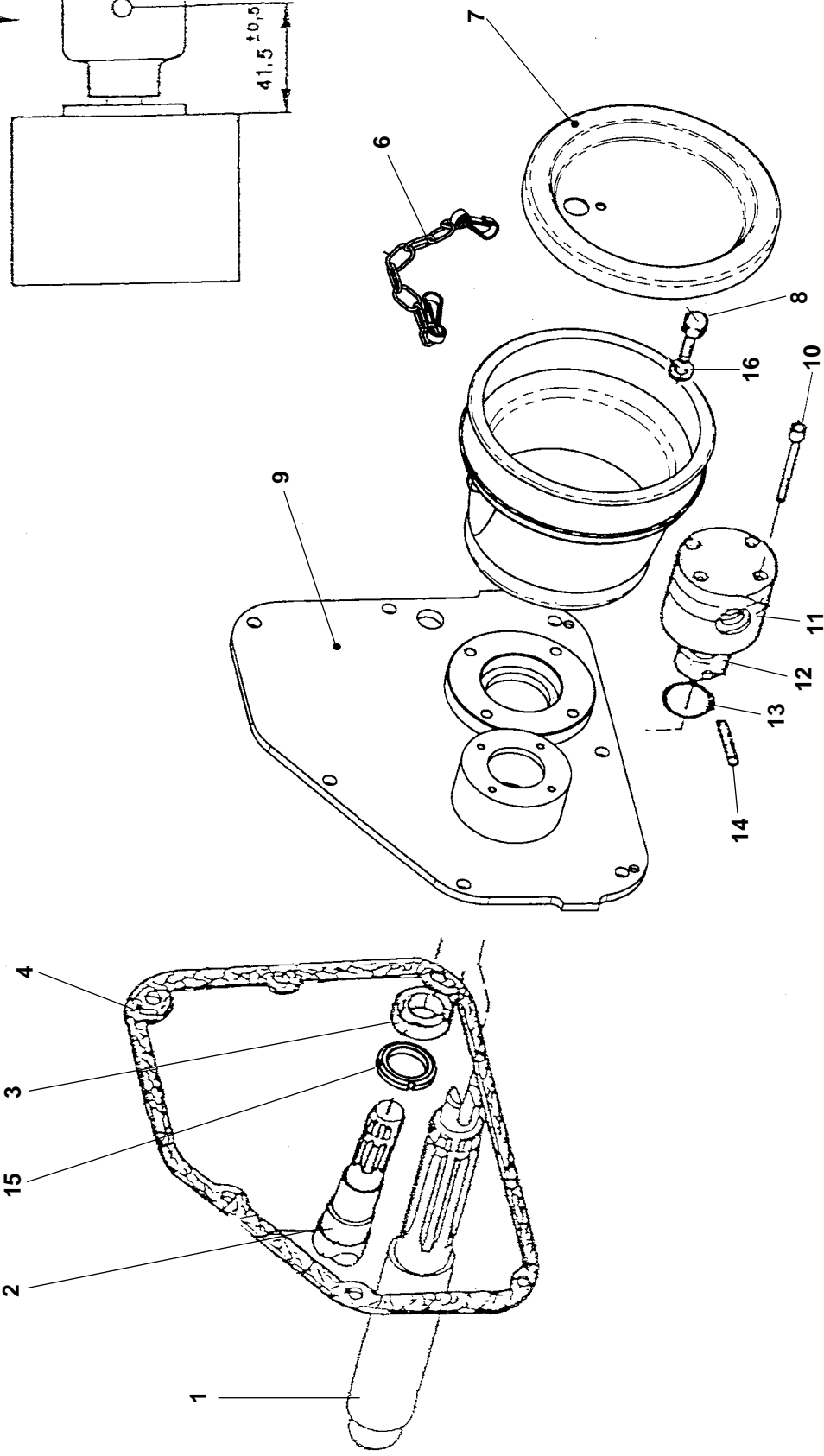
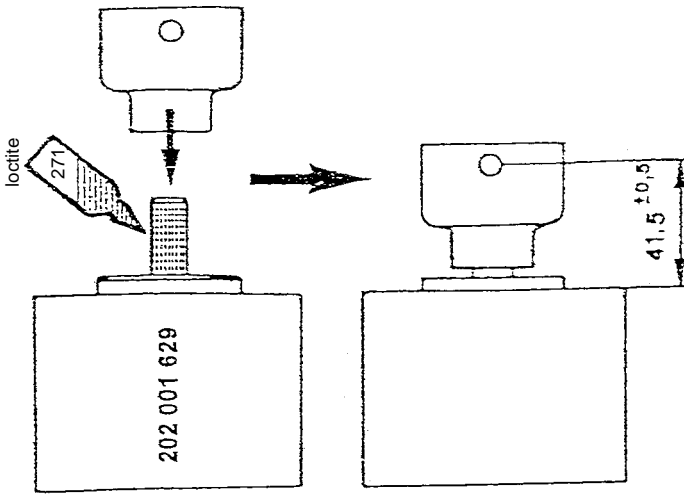
ROTAVATOR / ROTALABOUR 600 S



ROTAVATOR / ROTALABOUR 600 S



ROTAVATOR / ROTALABOUR 600 D



ROTAVATOR / ROTALABOUR 600 D

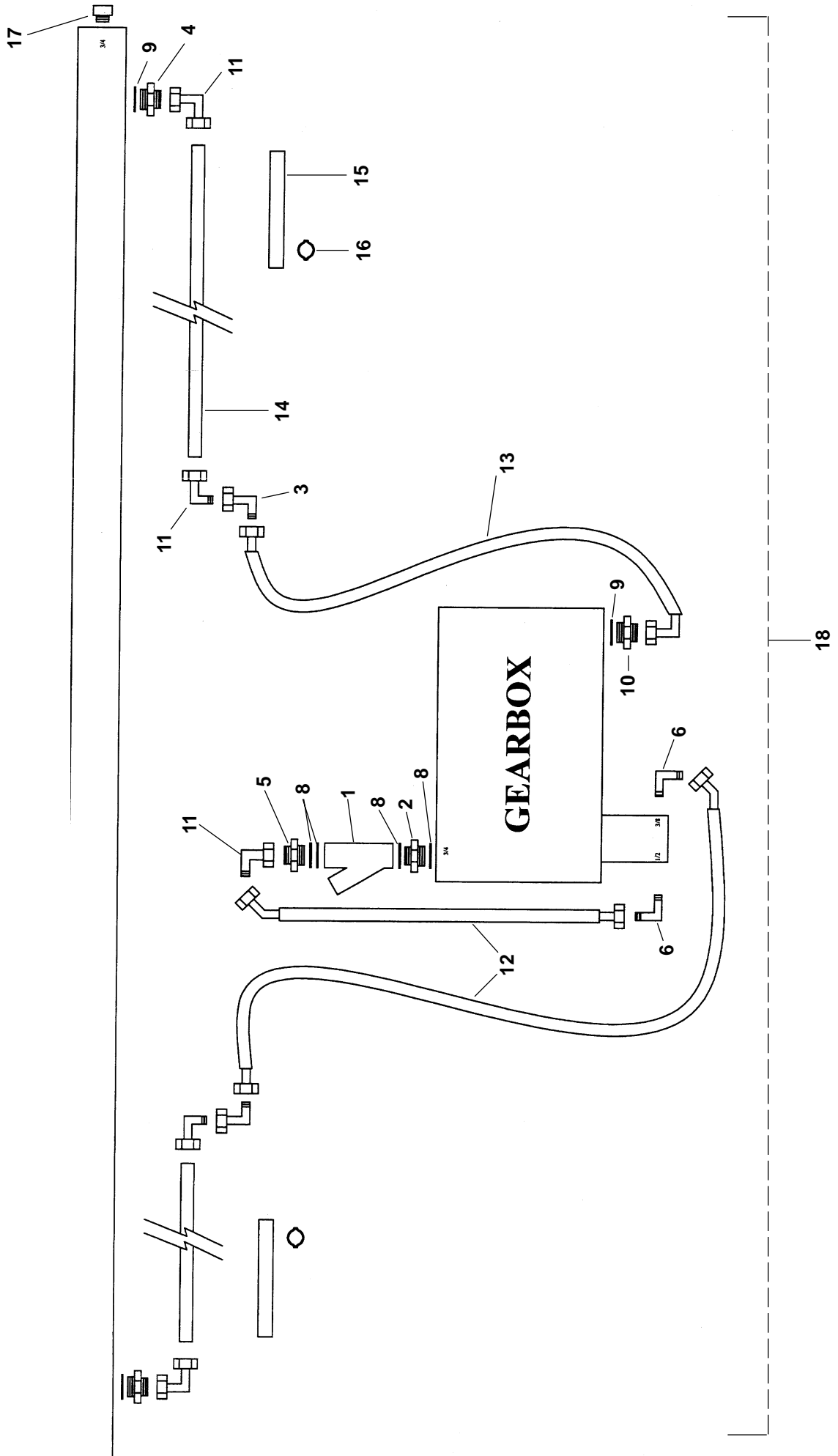


Fig.	Serial nº	Part nº	Pieces	Notes
1		74 202065530	1	Filter DN20
2		74 202079378	1	Union 3/4
3		74 202082170	2	TN99-15L
4		74 202079379	2	TN92 - 15LR 1/2
5		74 202079380	1	TN92 - 15LR 3/4
6		74 202082180	1	TN94 - 15LR 3/4
7		74 202082190	1	TN94 - 15LR 1/2
8		74 202029600	4	Seal metal - Rubber 3/4
9		74 202029610	3	Seal metal - Rubber 1/2
10		74 202079381	1	TN92 - 15LR 1/2
11		74 202082200	5	TN119 - 15L
12		74 202077982	2	Flexible hose 1/2 R1 TL M22L/CD45
13		74 202077983	1	Flexible hose 1/2 R1 TL M22L/CD90
14		71 000109872	2	180
14		71 000109873	2	205
14		71 000109874	2	230
14		71 000109875	2	255
14		71 000109876	2	305
14		71 000109877	2	355
14		71 000109878	2	405
15		74 966919300	2	
16		74 208003693	2	
17		74 203031200	1	Plug 3/4"
18		71 000110465	1	Hydraulic kit.

ROTAVATOR / ROTALABOUR 600

33

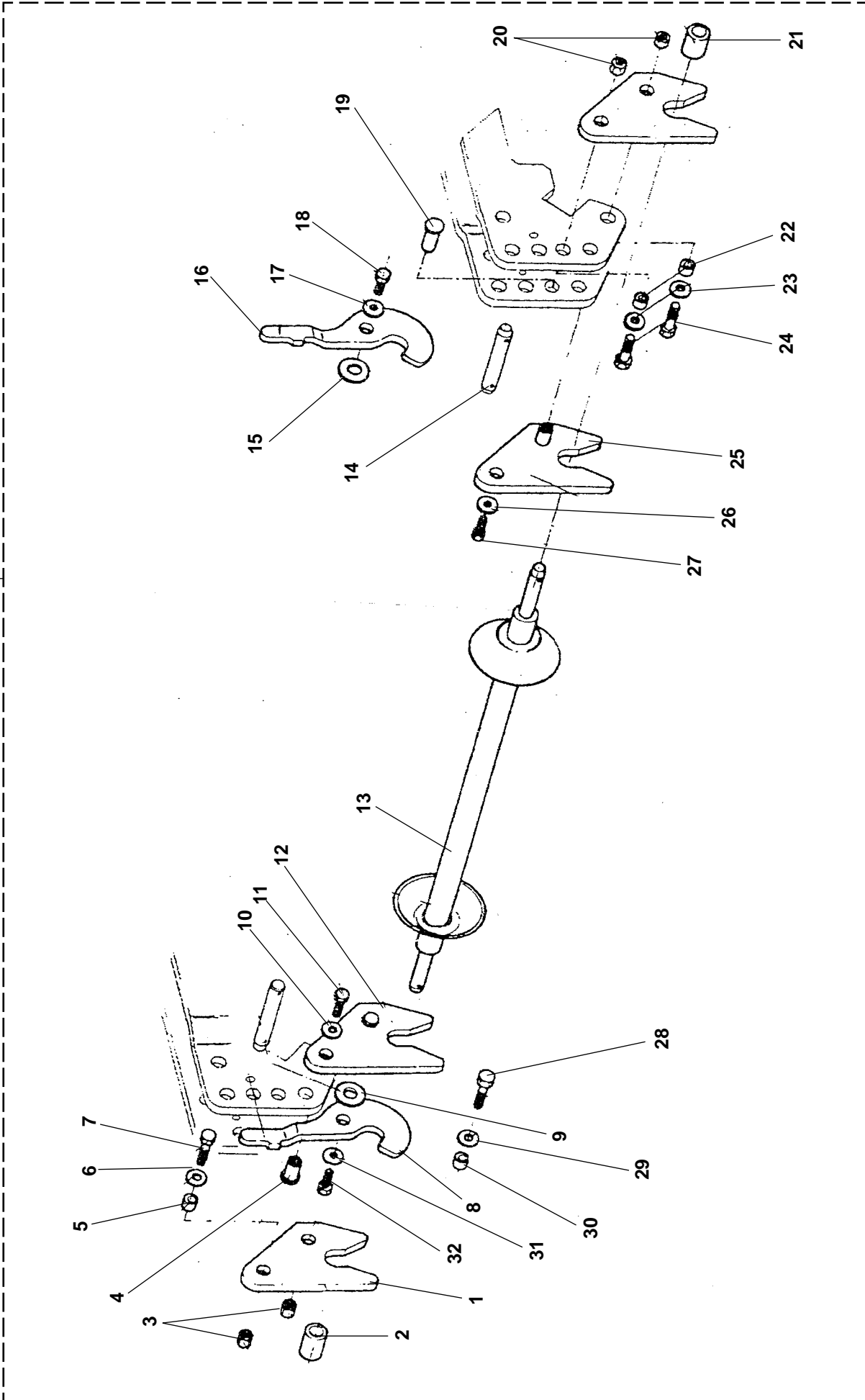


Fig.	Serial n°	Part n°	Pieces	Notes
1		71 000653539 R	1	
2		71 000653531	1	
3		307 216 050	2	Selflocking nut M16
4		71 000653534	1	
5		71 000653538	1	
6		308 160 075	1	Flat washer M16
7		301 216 555	1	Bolt M16 x 55 mm.
8		71 000109297 R	1	
9		203 026 290	1	Belleville 40 x 20,5 x 2,5 mm.
10		308 120 075	1	Flat washer M12
11		301 412 205	1	Setscrew M12 x 20 mm.
12		71 000653548 R	1	
13		71 000653536 V	1	
14		71 000653320	1	Ø 28 mm.
14		71 000186295	1	Ø 19 mm.
15		203 026 290	1	Belleville 40 x 20,5 x 2,5 mm.
16		71 000109296 R	1	
17		308 120 075	1	Flat washer M12
18		301 412 205	1	Setscrew M12 x 20 mm.
19		71 000653534	1	
20		307 216 050	2	Nut M16
21		71 000653531	1	
22		71 000653538	2	
23		308 160 075	2	Flat washer M16
24		301 216 555	2	Bolt M16 x 55 mm.
25		71 000653547 R	1	
26		308 120 075	1	Flat washer M12
27		301 412 205	1	Setscrew M12 x 20 mm.
28		301 216 555	1	Bolt M16 x 55 mm.
29		308 160 075	1	Flat washer M16
30		71 000653538	1	
31		308 120 075	1	Flat washer M12
32		301 412 205	1	Setscrew M12 x 20 mm.
33		71 000653537	1	Complet kit

ROTAVATOR / ROTALABOUR 600

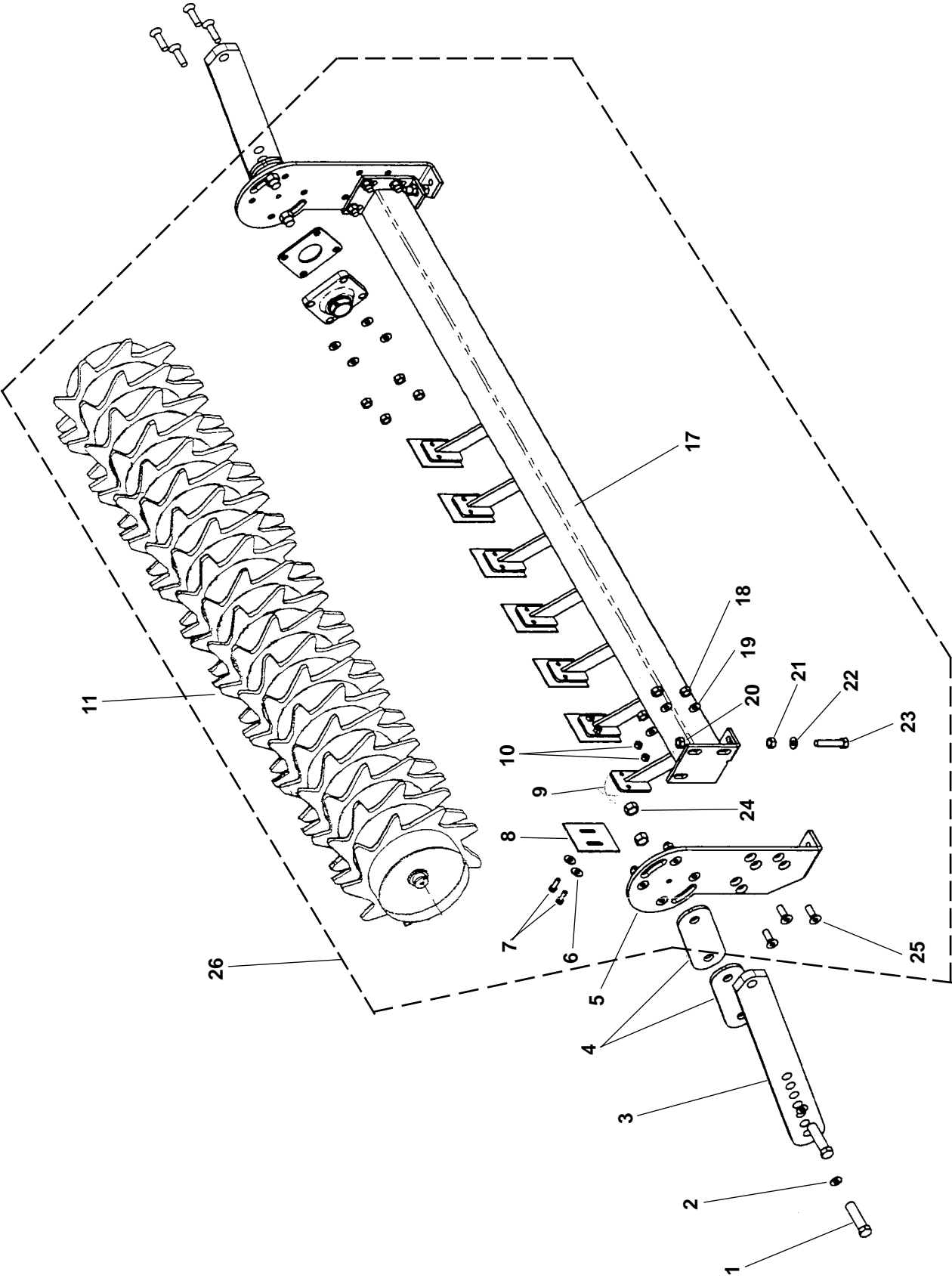


Fig.	Serial nº	Part nº	Pieces	Notes
1		301 224 400	4	Bolt M 24 x 40 mm.
2		308 240 020	4	Flat washer M24
3		74 966832700 V	2	
3		74 966832701 V	2	
4		74 966871200	4	
5		74 966904400 V	2	
6		308 100 010	#	Flat washer M10
7		301 210 300	#	Bolt M 10 x 30 mm.
8			#	
9		74 966861000 V	#	
10		307 210 040	#	Self locking nut M10
11		74 966904518 V	1	180
11		74 966904520 V	1	205
11		74 966904523 V	1	230
11		74 966904525 V	1	255
11		74 966904528 V	1	280
11		74 966904529 V	1	305
11		74 966904530 V	1	355
11		74 966904531 V	1	405
12		307 216 040	8	Self locking nut M16
13		308 160 010	8	Flat washer M16
14		254 513 401	2	Bearing UCF 209
15		74 966904600	2	
16		301 216 600	8	Bolt M 16 x 60 mm.
17		74 966904718 V	1	180
17		74 966904720 V	1	205
17		74 966904723 V	1	230
17		74 966904725 V	1	255
17		74 966904728 V	1	280
17		74 966904729 V	1	305
17		74 966904730 V	1	355
17		74 966904731 V	1	405
18		307 216 040	6	Self locking nut M16
19		308 160 010	6	Flat washer M16
20		307 216 010	2	Nut M16
21		307 216 010	2	Nut M16
22		308 160 010	2	Flat washer M16
23		301 216 800	2	Bolt M16 x 80 mm.
24		307 224 040	4	Self locking nut M24
25		301 216 500	6	Bolt M16 x 50 mm.
26		74 966878118	1	180
26		74 966878120	1	205
26		74 966878123	1	230
26		74 000667625	1	255
26		74 966878125	1	280
26		74 000667629	1	305
26		74 000667630	1	355
26		74 000667631	1	405

ROTAVATOR / ROTALABOUR 600

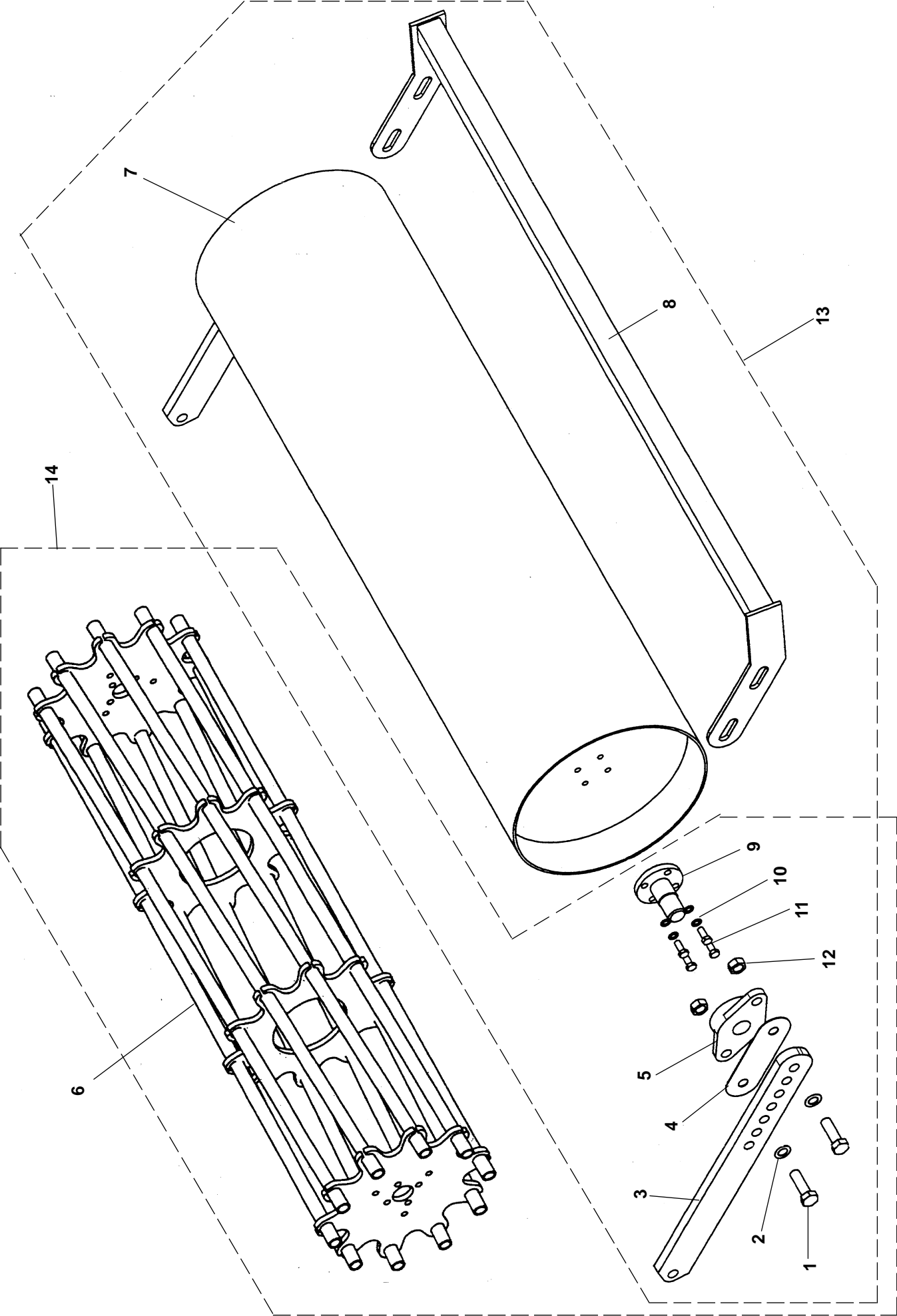
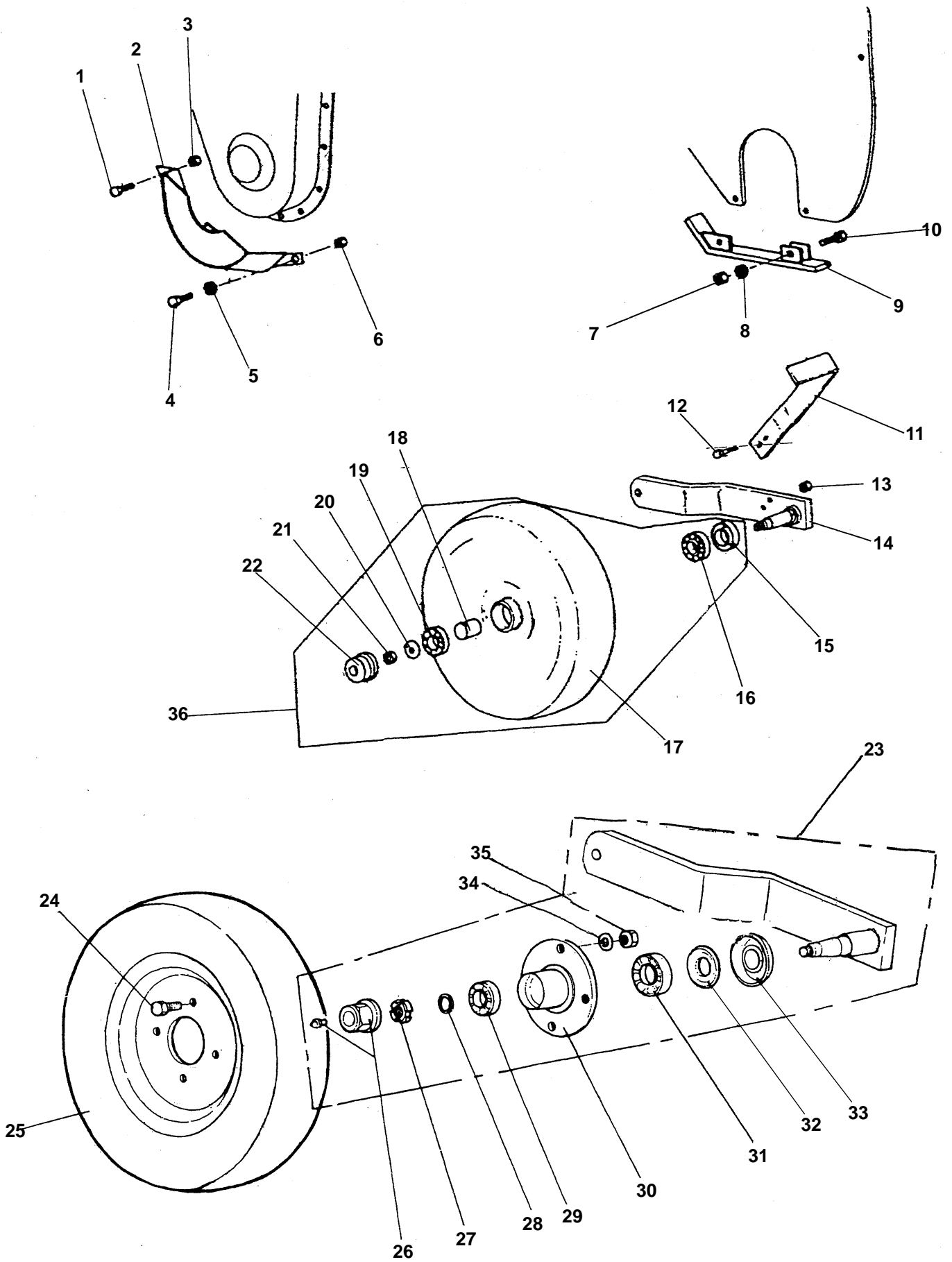
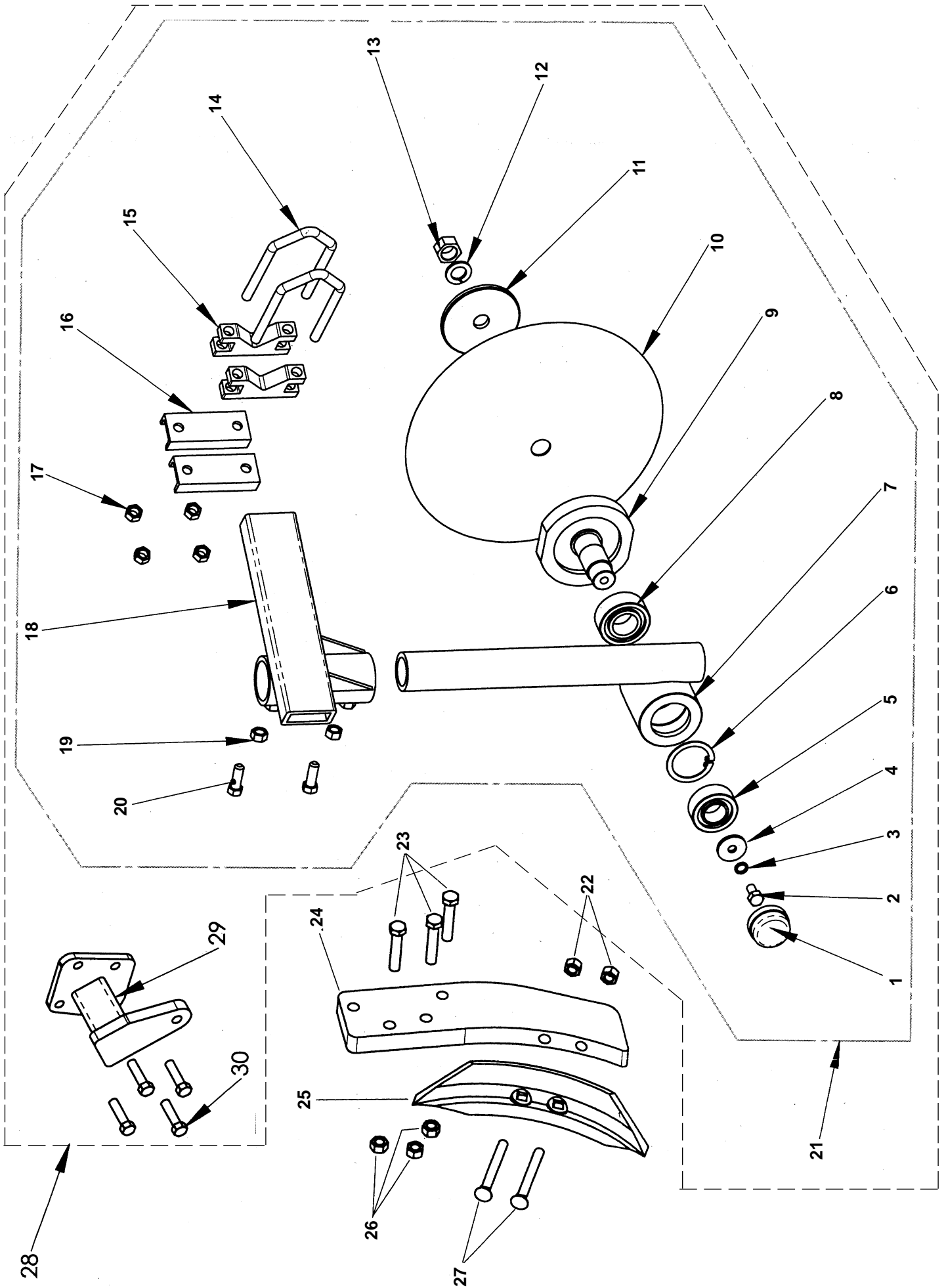


Fig.	Serial nº	Part nº	Pieces	Notes
1		301 224 800	4	Bolt M 24 x 80 mm. Flat washer M24
2		308 240 020	4	
3		74 966832700 V	2	
3		74 966832701 V	2	
4		74 966871200	#	
5		254 517 700	2	Bearing UCFL 309 SLB
6		74 9669222 18 V	1	
6		74 9669222 20 V	1	
6		74 9669222 23 V	1	
6		74 9669222 25 V	1	255
6		74 9669222 28 V	1	280
6		74 9669222 30 V	1	305
6		74 9669222 35 V	1	355
6		74 9669222 40 V	1	405
7		74 966870818 V	1	180
7		74 966870819 V	1	190
7		74 966870820 V	1	205
7		74 966870821 V	1	215
7		74 966870823 V	1	230
7		74 966870825 V	1	250
7		74 966870828 V	1	280
7		74 966870830 V	1	305
7		74 966870835 V	1	355
7		74 966870840 V	1	405
8		74 966871818 V	1	180
8		74 966871819 V	1	190
8		74 966871820 V	1	205
8		74 966871821 V	1	215
8		74 966871823 V	1	230
8		74 966871825 V	1	250
8		74 966871828 V	1	280
8		74 966871830 V	1	305
8		74 966871835 V	1	355
8		74 966871840 V	1	405
9		74 966867500 V	1	
10		308 140 040	8	Grower M14 Bolt M 14 x 40 mm. Self locking nut M24
11		301 214 400	8	
12		307 224 050	4	
13		74 9668709 18 V	1	
13		74 9668709 20 V	1	205
13		74 9668709 23 V	1	230
13		74 9668709 25 V	1	255
13		74 9668709 28 V	1	280
13		74 9668709 30 V	1	305
13		74 9668709 35 V	1	355
13		74 9668709 40 V	1	405
14		74 9669221 18 V	1	180
14		74 9669221 20 V	1	205
14		74 9669221 23 V	1	230
14		74 9669221 25 V	1	255
14		74 9669221 28 V	1	280
14		74 9669221 30 V	1	305
14		74 9669221 35 V	1	355
14		74 9669221 40 V	1	405

ROTAVATOR / ROTALABOUR 600



ROTAVATOR / ROTALABOUR 600



ROTAVATOR / ROTALABOUR 600

